



AFTERMARKET DEALER CATALOG 2021

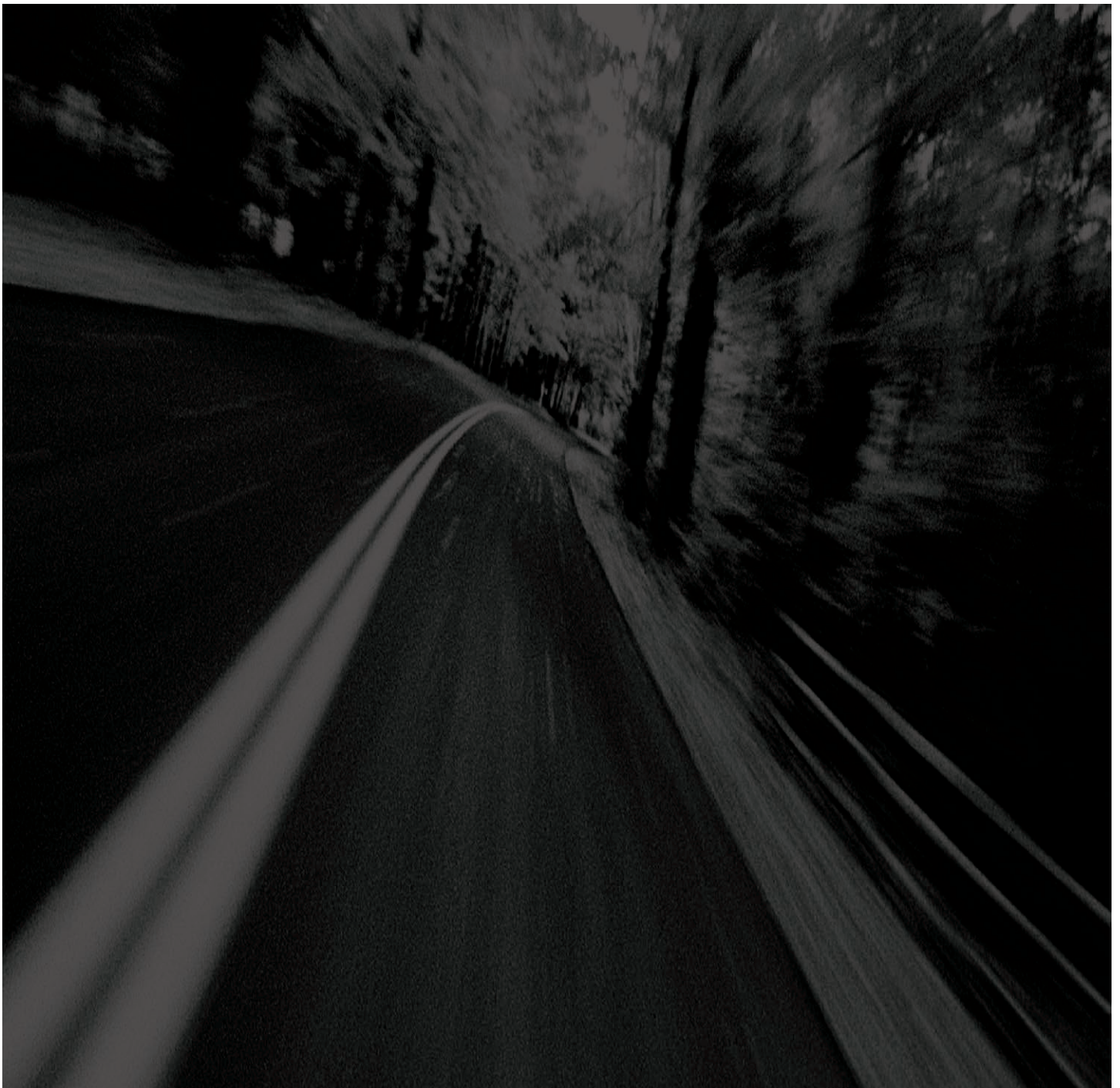


TABLE OF CONTENTS

SUSPENSION/AXLES/ BRAKES 3

SUSPENSION ENHANCEMENT

Equa-Flex® Rubberized Equalizer	4
---------------------------------------	---

AXLE & RUNNING GEAR PARTS

Axle Replacement Parts	5-6
Forward Self-Adjusting Brakes	7
Electric Brake Assemblies & Parts	8
Hubs	9
Bearing Assemblies	9
Grease Seals	9
Axle Springs	10
Attaching Part Kits	10
Equalizers	11
Spindle Washers	11
U-Bolts	11
Shackle Links & Assemblies	11
Hangers	12
Axle Mounting Kits & Hardware	12
Dust Caps	13
Miscellaneous Parts	13

LEVELING/ STABILIZATION 14

ELECTRIC JACKS

Smart Jack	15
Power Tongue Jack	15

MANUAL JACKS

Quick Drop Tongue Jack	18
Manual Stabilizer Jacks	18
Manual Sidewinder Jack	18
A-Frame Jacks	17
Marine Jacks	17

JT'S STRONG ARM™ JACK STABILIZERS

JT's Strong Arm Jack Stabilizer Kits	18
JT's Strong Arm Jack Accessories	18

CARGO/SECURITY 19

CARGO

Jack-It® Double Bike Carrier	20
Hitch-Mounted Bike Racks	21

Cargo Carrier	21
Cargo Straps & Nets	21

SECURITY

Toylok® Anti-Theft Device	22
---------------------------------	----

TOWING 23

TOWING SCALE

Betterweigh Mobile Towing Scale	24
Shockdrop Technology	25

TOWING ACCESSORIES

Class 3 Ball Mounts	26
Forged Ball Mounts	26
Trailer Balls	26
Reducer Sleeves	26
Hitch & Coupler Locks	26
Hitch Pins & Clips	26
5th Wheel Hitch Lock	26
5th Wheel King Pin Lock	27
Safety Pins	27

WEIGHT DISTRIBUTION

Trutrack Weight Distribution System	28
MV Round Bar Wd Kits & Sway Control	28

BRAKE CONTROLLER

Echo® Mobile	28
Brake Controller	29

5TH WHEEL HITCHES

Advantage Of Oem Puck System Legs	29
A-Series 5th Wheel Hitches	30
Custom Brackets & Base Rails	30
5th Wheel Lube Plates	30
5th Wheel Puck System Legs	31
5th Wheel Hitch Head	31
Oem Puck System Gooseneck Kits	31

TOWING ELECTRICAL

7-Way Rv Blade Plug & Socket & Mounting Bracket	32
Easy-Mount Electrical Brackets	32
7' Custom Wiring Harness Extension	32
Breakaway Kits	32
Breakaway Kit Replacement Parts	32
7-Way Rv Blade Replacement Harnesses	32
4-Way Flat Plug & Socket	32
7-Way Rv Blade Adapter Harness	33
7-Way Rv Blade Connector Tester	33

ALIGNMENT/ SUSPENSION/ AXLES

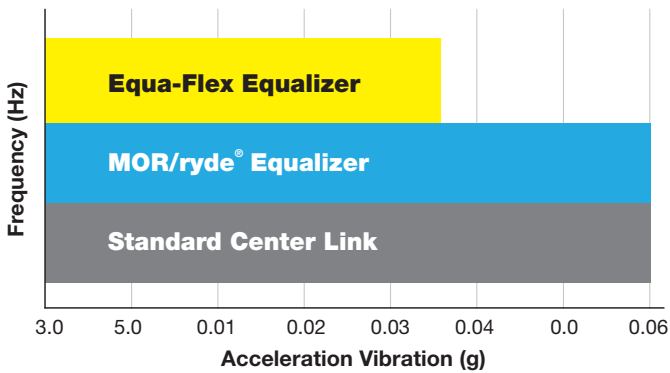


equa-flex®

The patented Equa-Flex rubberized equalizer absorbs road shock like a sponge instead of transferring it to the RV and cargo, preventing damage that can be caused by a bumpy ride. Equa-Flex also reduces fore-to-aft movement, often referred to as “chucking,” to provide a smooth, comfortable ride. Equa-Flex also scored a 7.5 out of 10 in independent testing, compared to 5.0 by the leading competitor.



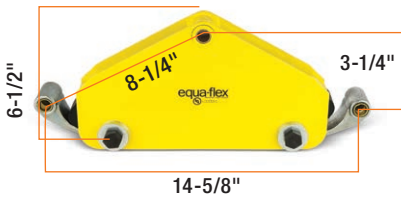
Equa-Flex Equalizer Frame Chatter Testing Results



Equa-Flex reduces frame acceleration by 40% at 15-40Hz compared to both MOR/ryde and a standard non-ride enhanced suspension.

part #	description
279688	Equa-Flex, Tandem Axle; 6-8K
314336	Equa-Flex; Spread Tandem Axle; 5.2K
281314	Equa-Flex; Triple Axle; 3K-6K
279689	Equa-Flex; Triple Axle; 5K-8K

5,200-lb Capacity
314336 **Tandem Spread Axle**



Under 6,000-lb Capacities

281314
Triple Application



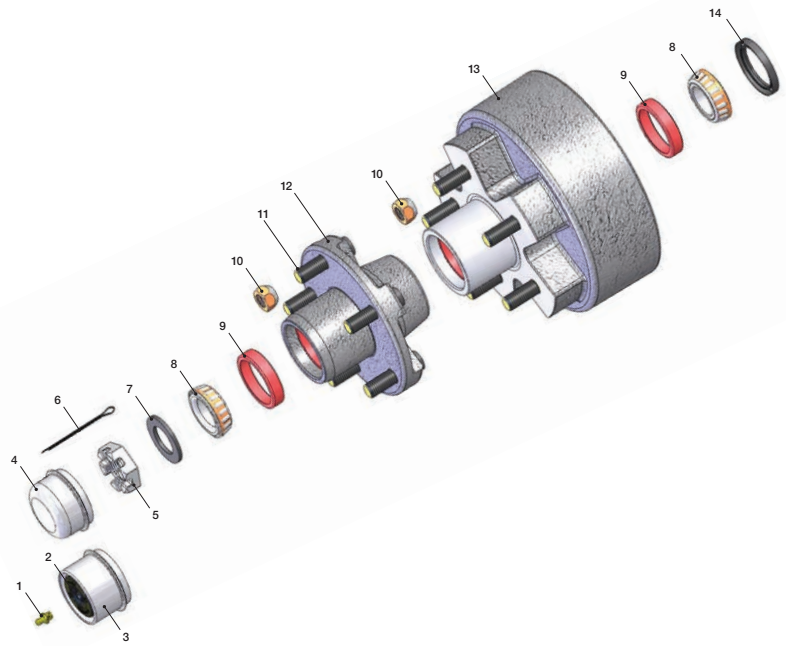
Over 6,000-lb Capacities

279688
Tandem Application
279689
Triple Application



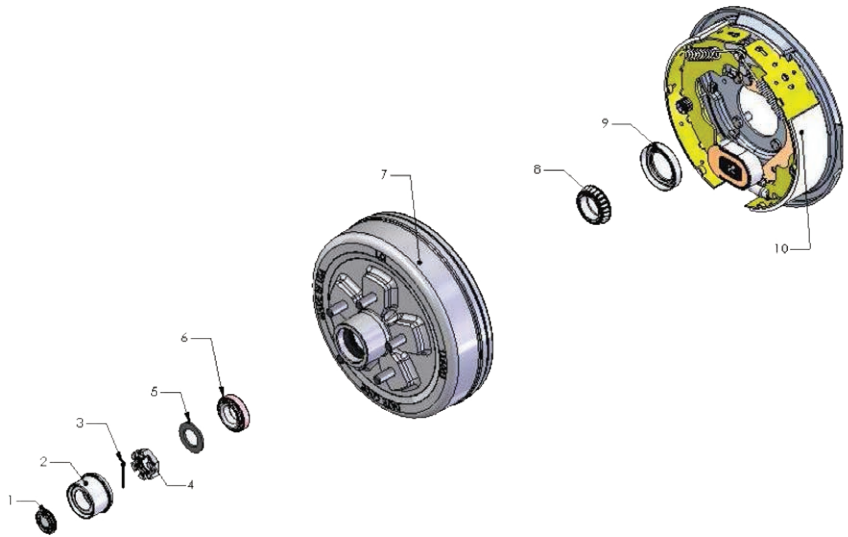
2K Wheel End Replacements

item	part #	description
1	122255	Grease Zerk Lubed
2	693722	Rubber Plug Lubed
3	693824	Dust Cap Lubed
4	693794	Dust Cap Non Lubed
5	122081	Spindle Nut 1"-14
6	122075	Cotter Pin 0.120 X 1.75
7	119214	Spindle Washer 1.06 X 1.68 OD
8	122089	Outer Bearing Cone L44649
9	125102	Outer Bearing Cup L44610
10	122076	Cone Wheel Nut 1/2 - 20 60°
11	121803	Stud, 1/2-20, 0.617 Dia. Knurl
12	134574	Idler Hub; 4 on 4.00
13	141280	Idler Hub; 5.50
14	333956	1.5In Id 1.987In Od



3500 lb Wheel End Replacements

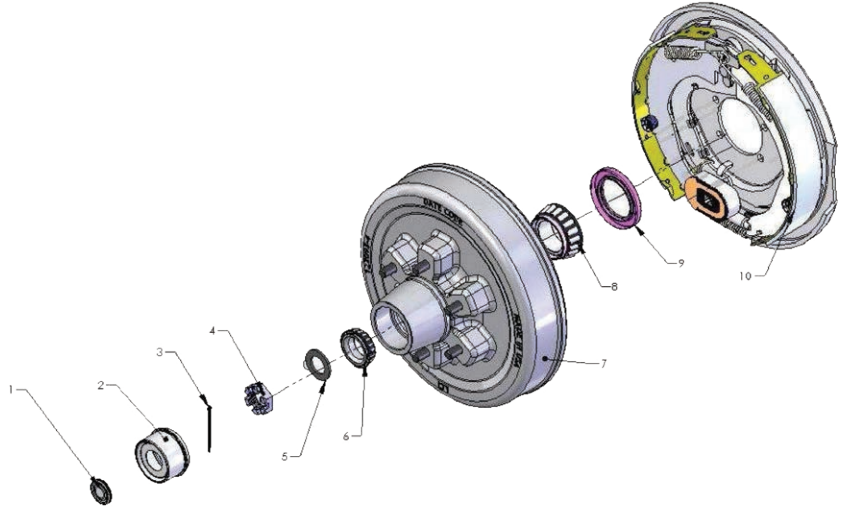
item	part #	description
1	693722	Rubber Plug for lubed grease caps
2	693824 693794	Dust Cap; 2" bore; super lube Dust Cap; 2" bore; non-lubed
3	122075	Cotter Pin
4	693778	Spindle Nut; 6 slot
5	693781	Spindle Washer; round 1D
5a	119215	Spindle Washer; D-flat
5b	119216	Spindle Washer; locking tang
6	122089 125102	Outer Bearing Cone L44649 Outer Bearing Cup L44610
7	122460 122461	Hub Drum w/ cups & studs 5/4.5" Idler Hub 5/4.5" 1/2" stud-pkgd
8	122092 124296	Inner Bearing Cone L68149 Inner Bearing Cup L68111
9a	333960	Grease Seal; Double Lip; 1.69" ID x 2.565" OD
9b	333961	Grease Seal; Double Lip; 1.72" ID x 2.565" OD
10	297956 298274 136451 136454 136453	Brake Assembly 10" x 2.25" LH Brake Assembly 10" x 2.25" RH Shoe & lining kit for (1) brake Magnet kit; green wire Adjuster screw and spring kit



Use 5a/5b in place of 3 & 5 if spindle has no hole for cotter pin and has D-flat washer

5200 lb Wheel End Replacements

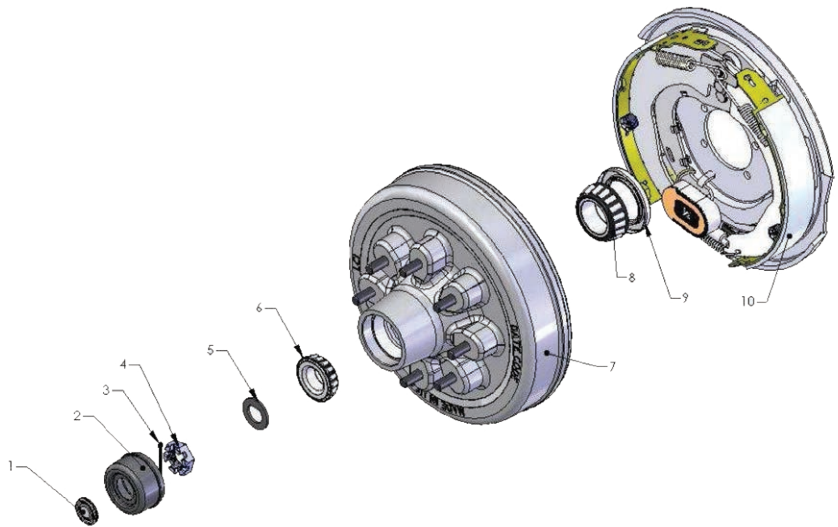
item	part #	description
1	693722	Rubber Plug for lubed grease caps
2	693749	Dust Cap; 2.5" bore; super lube
	693795	Dust Cap; 2.5" bore; non-lubed
3	122075	Cotter Pin
4	122081	Spindle Nut; 6 slot
5	119214	Spindle Washer; round ID
5a	119215	Spindle Washer; D-flat
5b	119216	Spindle Washer; locking tang
6	122090	Outer Bearing Cone LM67048
	124292	Outer Bearing Cup LM67010
7	814202	Hub Drum w/ cups & studs 6/5.5"
8	122066	Inner Bearing Cone 25580
	124287	Inner Bearing Cup 25520
9	333963	Grease Seal; Double Lip; 2.25" ID x 3.376" OD
10	298275	Brake Assembly 12" x 2" LH
	298276	Brake Assembly 12" x 2" RH
	136444	Shoe & lining kit for (1) brake
	136447	Magnet kit; black or white wire
	136453	Adjuster screw and spring kit



Use 5a/5b in place of 3 & 5 if spindle has no hole for cotter pin and has D-flat washer

7000 lb Wheel End Replacements

item	part #	description
1	693722	Rubber Plug for lubed grease caps
2	693748	Dust Cap; 2.75" bore; super lube
	127206	Dust Cap; 2.75" bore; non-lube
3	122075	Cotter Pin
4	122081	Spindle Nut; 6 slot
5a	179660	Spindle Washer; D-flat
5b	119216	Spindle Washer; locking tang
6	179660	Outer Bearing Cone 14125A
	127012	Outer Bearing Cup 14276
7a	814202	Hub Drum w/ cups & studs 6/5.5"
7b	141290	Hub Drum; 9/16" studs; 8/6.5"
8	122066	Inner Bearing Cone 25580
	124287	Inner Bearing Cup 25520
9	333963	Grease Seal; Double Lip; 2.25" ID x 3.376" OD
10	298275	Brake Assembly 12" x 2" LH
	298276	Brake Assembly 12" x 2" RH
	136444	Shoe & lining kit for (1) brake
	136447	Magnet kit; black or white wire
	136453	Adjuster screw and spring kit
122465	Brake Hub 6000-7000#-pkgd	



BE PREPARED IN CASE OF AN EMERGENCY STOP

Standard brakes should be adjusted every three months. Forward Self-Adjusting Brakes self-adjust during every forward stop, providing up to 50 percent better braking distance and preventing premature brake line and magnet wear.



GET UP TO **50** PERCENT **BETTER BRAKING DISTANCE**



Trailer equipped with forward self-adjusting brakes

Trailer Equipped with Standard Electric Brakes



Trailer equipped with standard electric brakes

SIMULATED STOPPING DISTANCE AT 60 MPH

part #	description
296649	10" x 2-1/4" LH Forward Self-Adjusting Brake Assembly, 3.5K - 4 bolt mounting pattern
296650	10" x 2-1/4" RH Forward Self-Adjusting Brake Assembly, 3.5K - 4 bolt mounting pattern
296651	12" x 2" LH Forward Self-Adjusting Brake Assembly, 4-7K - 5 bolt mounting pattern
296652	12" x 2" RH Forward Self-Adjusting Brake Assembly, 4-7K - 5 bolt mounting pattern

ELECTRIC BRAKE_ASSEMBLIES & PARTS

10" x 2.25" **4-Bolt Electric Brake Assembly fits 3.5K axles**

part #	description
297956	LH Electric Brake Assembly (Single)
298274	RH Electric Brake Assembly (Single)
297956	LH Electric Brake Assembly (Bulk-168 pc)
298274	RH Electric Brake Assembly (Bulk-168 pc)

12.25" x 3.38" **4-Bolt Electric Brake Assembly fits 8K axles**

part #	description
298277	LH Electric Brake Assembly; 8K (Single)
298279	RH Electric Brake Assembly; 8K (Single)

12" x 2" **5-Bolt Electric Brake Assembly fits 4-7K axles**

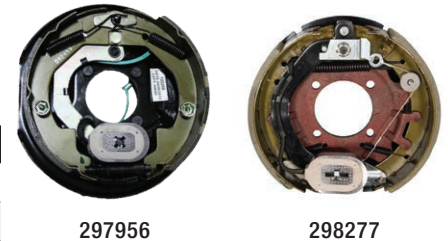
part #	description
298275	LH Electric Brake Assembly (Single)
298276	RH Electric Brake Assembly (Single)

12.25" x 3.38" **7-Bolt Electric Brake Assembly fits 10K axles**

part #	description
181935	LH Electric Brake Assembly; 10K (Single)
181936	RH Electric Brake Assembly; 10K (Single)

12.25" x 5" **7-Bolt Electric Brake Assembly fits 12K axles**

part #	description
297998	LH Electric Brake Assembly; 12K (Single)
2979981	RH Electric Brake Assembly; 12K (Single)

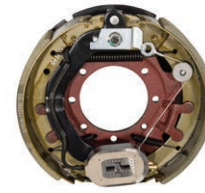


297956

298277



298275



181935



297998

10" x 2.25" **Electric Brake Replacement Parts**

part #	description
136451	Shoe & Lining Kit (includes primary & secondary shoe/lining)
136453	Adjustment Screw Kit (includes adjustment screw assembly & spring)
136454	Magnet Kit (includes magnet w/ green lead wires, retainer clip & spring)



136451



136453



136454

12" x 2" **Electric Brake Replacement Parts**

part #	description
136444	Shoe & Lining Kit (includes primary & secondary shoe/lining)
136453	Adjustment Screw Kit (includes adjustment screw assembly & spring)
136447	Magnet Kit (includes magnet w/ white lead wires, retainer clip & spring)



136444



136447

814196

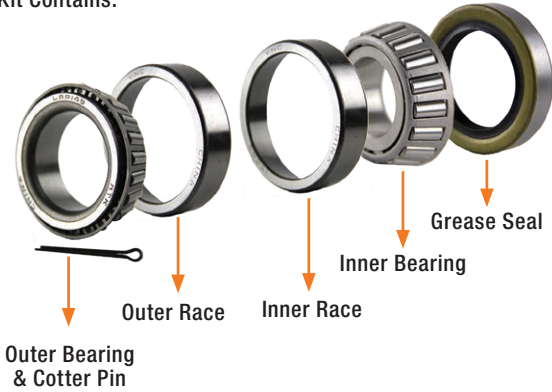
814199



Idler Hub

part #	capacity	bolt pattern	stud size
814196	2200 lb.	5-4.5"	1/2"
814199	3500 lb.	5-4.5"	1/2"

Each Kit Contains:



Bearing & Seal Kits

part #	description
333948	Bearing Kit; 3,500 lb. Axle (includes Outer Bearing L44649, Inner Bearing L68149, Inner Cup L68111, Outer Cup L44610, Grease Seal & Pin)
333949	Bearing Kit; 5,200 lb. Axle (includes Outer Bearing LM67048, Inner Bearing 25580, Inner Cup 25520, Outer Cup LM67010, Grease Seal & Pin)
333950	Bearing Kit; 6,000 lb. Axle (includes Outer Bearing 15123, Inner Bearing 25580, Inner Cup 25520, Outer Cup 15245, Grease Seal & Pin)
333951	Bearing Kit; 7,000 lb. Axle (includes Outer Bearing 14125A, Inner Bearing 25580, Inner Cup 25520, Outer Cup 14276, Grease Seal & Pin)

814200

814202

693958

693892



Brake Hubs

part #	capacity	bolt pattern	stud size
814200	3500 lb.	5-4.5"	1/2"
814202	6000 lb.	6-5.5"	1/2"
693958	6000 to 7000 lb.	8-6.5"	1/2"
693892	6000 to 7000 lb.	8-6.5"	9/16"
814200	10000 lb	5-4.5	1/2

1,250 lb.
1.983" ID

2,200 lb.
1.987" ID

3,500 lb.
2.565" ID

5,2,6,7 & 8 lb.
3.376" ID



Grease Seals

part #	description
333954	Grease Seal; 1,250 lb. (1" Spindle); 1.983" OD; 10/pkg
333956	Grease Seal; 2,200 lb.; 1.5" ID; 1.987" OD; 2/pkg
333957	Grease Seal; 2,200 lb.; 1.5" ID; 1.987" OD; 10/pkg
333961	Grease Seal; 3,500 lb.; 1.719" ID; 2.565" OD; 10/pkg
333962	Grease Seal; 5.2, 6, 7 & 8 lb.; 3.376" OD; 2/pkg
333963	Grease Seal; 5.2, 6, 7 & 8 lb.; 3.376" OD; 10/pkg



AXLE SPRINGS_ & ATTACHING PART KITS



Double Eye Leaf Spring



121101



121097

Leaf Springs

part #	springs	capacity	loaded length	eye-to-eye length	loaded arch length	standens
693955	3	1,000 lb.	21"	20.375"	2.12"	72-17
127103	3	1,250 lb.	24"	23.125"	2.5"	72-06
124903	4	1,750 lb.	26"	25.25"	1.5"	72-42
125799	4	2,000 lb.	24"	23.125"	2.5"	72-18
125797	3	2,000 lb.	26"	25.25"	1.75"	72-24
129745	4	2,200 lb.	26"	25.25"	2"	72-78
133982	4	2,500 lb.	24"	23.125"	2.5"	72-20



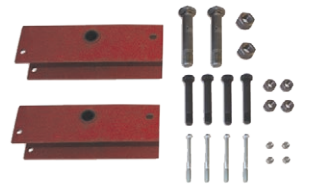
121098



121099



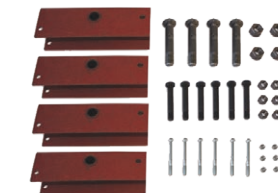
121100



128877



Slipper Spring



137383

Slipper Springs

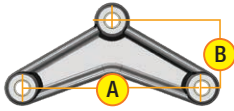
part no.	springs	capacity	loaded length	eye-to-eye length	loaded arch length	standens
132819	2	1,000 lb.	25"	24.75"	4"	72-2
136527	4	2,000 lb.	25"	26.5"	2"	72-30
125250	4	2,500 lb.	25"	26.5"	2"	72-31
125203	5	3,500 lb.	25"	26.5"	2"	72-32
176326	5	5,000 lb.	30"	30"	2.7"	72-80

Attaching Part Kits

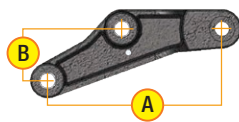
part #	description
121101	Single Axle AP Kit; 3-1/8" Link
121097	Tandem AP Kit; 33" Axle Spacing; EQ-104
121098	Tandem AP Kit; 33" Axle Spacing; EQ-310
121099	Tandem AP Kit; 35" Axle Spacing; EQ-E1
121100	Triple AP Kit; 33" Axle Spacing; EQ-104 & 105
128877	Tandem Slipper AP Kit; 33.5" Axle Spacing; EQ-1304
137383	Triple Slipper AP Kit; 33.5" Axle Spacing; EQ-1304

EQUALIZERS/SPINDLE WASHERS/U-BOLTS/SHACKLE LINKS

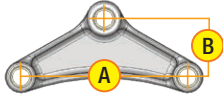
122106



126277



126460



Equalizers

part #	equalizer type	A	B	hole diameter
122106	EQ-E1	7-3/4"	2-7/8"	9/16"
126277	EQ-105	6-3/4"	2"	9/16"
126460	EQ-104	5-3/4"	2"	9/16"

All cast equalizers come with nylon bushings

693781



119215



119216



Spindle Washers

part #	description
693781	1" Round Spindle Washers
119215	1" D-Flat Spindle Washer
119216	1" Tang Spindle Washer



U-Bolts

part #	description
693875	U-Bolt 1/2"-20 x 5.1" for 2.38" Axle Tube; Yellow Zinc
693747	U-Bolt 1/2"-20 x 6.5" for 3" Axle Tube; Yellow Zinc



Note - shackle link dimensions are measured from center of hole to center of hole

Shackle Links

part #	description
693750	Standard 2.25" Shackle Link
133207	Standard 3.13" Shackle Link
126172	Heavy-Duty 2.25" Shackle Link
1567651	Heavy-Duty 3.13" Shackle Link

122487



133207



126172



1567651



125675



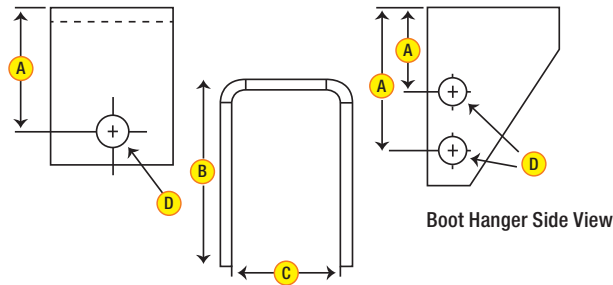
133485



Shackle Link Assemblies

part #	description
125675	Standard 2.25" Shackle Link Assembly
133485	Standard 3.13" Shackle Link Assembly

AXLE HANGERS & HARDWARE



Axle Hangers

part #	description	A	B	C	D
106181	1.25" Axle Hanger	1.25"	1.86"	2"	9/16"
106182	2.25" Axle Hanger	2.14"	2.87"	2"	9/16"
693876	3.25" Axle Hanger	3.13"	3.87"	2"	9/16"
106185	4.25" Axle Hanger	4.05"	4.75"	2"	9/16"
106184	5" Axle Hanger	4.82"	5.55"	2"	9/16"
102906	3" & 5" Boot Hanger	3 & 5"	5.75"	2"	9/16"



Axle Mounting Kits (mounts one axle)

part #	description
297426	Axle Mounting Kit; 1.75" Axle Tube 3/8"-24 x 4" U-Bolts
297427	Axle Mounting Kit; 2.375" Axle Tube 1/2"-20 x 5" U-Bolts
297429	Axle Mounting Kit; 3.0" Axle Tube 1/2"-20 x 7.25" U-Bolts



Axle Bolts

part #	description
121803	Press-In Wheel Stud; 1/2"-20 UNF x 1.98", 0.617" Knurl
122102	Shoulder Bolt; 9/16" x 2.32" w/ 7/16"-20 Thread End
271254	Shoulder Bolt; 9/16" x 2.82" w/ 7/16"-20 Thread End
126238	Wet Bolt; 9/16" x 3.24" w/ 7/16"-20 Thread End
126197	Wet Bolt; 9/16" x 3.74" w/ 7/16"-20 Thread End



Axle Nuts

part #	description
122103	Shackle Bolt Nut; 7/16"-20
693778	6-Slot Castle Spindle Nut; 1"-14
122076	60° Cone Lug Nut; 1/2"-20
122079	U-Bolt Flange Nut; 1/2"-20
122077	Self-Locking Brake Nut; 3/8"-24
122085	Brake Hex Nut; 7/16"-20
134581	60° Cone Lug Nut; 9/16"-18

*Standard stud size is 9/16"

DUST CAPS/MISC. PARTS

693794



693824



693795



693749



127206



693748



693722



Dust Caps

part #	description
693794	Dust Cap; Non-Lubed for 2K & 3.5K; DC 200
693824	Dust Cap; Lubed for 2K & 3.5K; DC 200L
693795	Dust Cap; Non-Lubed for 5.2K & 6K; DC 250
693749	Dust Cap; Lubed for 5.2K & 6K; DC 250L
127206	Dust Cap; Non-Lubed for 7K & 8K; DC 275
693748	Dust Cap; Lubed for 7K & 8K; DC 275L
693722	Universal Rubber Dust Cap Plug

122075



693825



122255



Miscellaneous Parts

part #	description
122075	Standard Cotter Pin for LCI Axle Assemblies
693825	Bronze Bushing, .58ID x .7000 x 1.74
122255	Grease Zerk for LCI Super Lube Axles up to 8K



LEVELLING/ STABILIZATION



SMART JACK

NEW LOOK. MORE FEATURES.

The Smart Jack features hitch height recognition mode; once the hitch height is set, the Smart Jack will store and remember that information until a new height is stored. To set this up, first measure the ball height on the tow vehicle once unloaded. Next, extend the Smart Jack to a distance that is 4" higher than the unloaded ball height. Lastly, set the hitch height by pressing and holding the up and down arrow buttons until the interface flashes.

With the Smart Jack's hitch height recognition, simultaneously press the up and down buttons twice while holding the third button to automatically extend the Smart Jack to the stored hitch height.

With hitch height recognition, users can simply press the hitch height button and walk away! No need to stand and hold the extend button, with a stored hitch height, the new Smart Jack will automatically extend.

FEATURES

- Standard **XL** 9" diameter footpad
- Drop leg with four position height adjustments at 1-1/2" increments
- Backlit modern control panel replaces tired looking rocker switches
- Battery indicator alerts user of remaining coach battery life
- Auto-Hitch Memory Function. Smart Jack remembers where your hitch height is
- Easy auto-retract feature retracts the jack to towing height without having to hold down the switch
- Updated hood mirrors the design in today's travel trailers and hides the motor, preventing cords and wires from becoming snagged
- 3,500-pound capacity
- Easy access manual override on top of jack in case of power failure
- 30 AMP, 18" stroke



part #	description
643589	Smart Jack - Black

POWER TONGUE JACK



FEATURES

- 3,500-pound rating
- 30 AMP, 18" Stroke
- Textured casing helps protect from chips and cracks
- 4 LED lights provide excellent illumination
- Helical cut gears reduce noise and improve operating efficiency
- Kit includes mounting hardware, pins and manual crank handle

part #	description
285318	Power Tongue Jack - Black



QUICK DROP TONGUE JACK

Perfect for trailers with no power source near the tongue jack!



Position for hand crank operation



Flip over hand crank to expose 3/4" hex nut for power drill operation*



QUICK DROP TONGUE JACK



No more cranking! Use a drill and 3/4" socket head to operate the jack!**

QUICK FACTS

- Raise or lower jack using a power drill and 3/4" socket head**
- No hand cranking required
- 2,000-pound lifting capacity
- 14" stroke
- Fits most cargo, utility and travel trailers
- Powder coating protects against the elements
- Removeable foot pad with locking pin included
- Patent pending

* Do not use an impact drill for operation

** Power drill and 3/4" socket head not included

part #	description
733926	Quick Drop Tongue Jack

MANUAL JACKS



(hardware not shown)

FEATURES

- 2,000-pound load capacity
- Rust-resistant finish on all metal surfaces
- Comes with hardware mounting kit
- 14-3/4" stroke
- 2-3/8" outer, 2" inner tube

part #	description
285420	Manual Sidewinder Jack w/ mounting hardware



24" Scissor Jack Kit (mounting hardware not shown)



30" Scissor Jack Kit (mounting hardware not shown)

FEATURES

- 5,000-pound load capacity
- Rust-prohibitive finish on all metal surfaces
- Universal weld-on or bolt-on application
- Available in one- or two-jack kits; crank handle included in two-jack kit only
- Each jack comes with four mounting screws

part #	description
285325	24" Stabilizer Jack; 1 per package w/ mounting hardware
285326	24" Stabilizer Jack Kit; 2 jacks, mounting hardware & crank handle
285332	30" Stabilizer Jack; 1 per package w/ mounting hardware
285344	30" Stabilizer Jack Kit; 2 jacks, mounting hardware & crank handle



28204



28205



25255

A-FRAME JACKS

- Designed to be mounted on an A-frame trailer tongue
- Can be bolted or welded on (hardware not included)

part #	description	capacity	wind	travel
28202	Taller version black	2,000 lb	Top	15"
28204	A-Frame	2,000 lb	Side	14 1/2"
28250	Black	5,000 lb	Top	14"
28255	Claw handle	5,000 lb	Top	15"



Mounting bracket can be bolted or welded to the trailer



28101



28115

MARINE JACKS

- Caster wheel for trailer mobility and coupling
- Side-wind handle raises or lowers trailer coupler
- Bolt-on hardware included for secure mounting

part #	description	capacity	caster	travel
28100	Bolt-on snap ring marine swivel jack	1,000 lb	6"	10"
28101	Packaged marine jack	1,000 lb	6"	10"
28115	Bolt-on marine swivel jack	1,500 lb	8"	10"



Swivel bracket allows jack to fully swing up during travel



Heavy-duty pull-pin locks jack securely in place



JT'S STRONG ARM™

PUT AN END TO UNWANTED CHASSIS MOVEMENT

Each JT's Strong Arm stabilizer tube bolts on to each landing gear leg and to the RV frame, forming a rigid triangle to eliminate unwanted chassis movement and provide a rock-solid camping experience, no welding required. The patented universal system is designed to attach to the three main types of jacks found on RVs: scissor, front landing gear and telescoping. JT's Strong Arm Jack Stabilizers come in easy bolt-on kits of four or six stabilizer tubes and include everything needed for installation.



If unit has hydraulic jacks, three #314592 jack adapter lugs are required. If unit has electric stabilizer jacks, one #314597 adapter kit needed per set of electric stabilizer jacks.

part #	description
191023	Fifth-Wheel Kit Over 58" Between Landing Gear
191024	Fifth-Wheel Kit Under 58" Between Landing Gear
191025	Travel Trailer Kit



CARGO/ SECURITY/ STORAGE



JACK-IT®

Ever wished you could see your bikes from your rear-view mirror as you tow your travel or cargo trailer down the road? Now you can with the patented Jack-It® double bike carrier from Let's Go Aero®. The Jack-It's innovative frame design installs over the tongue jack on the trailers A-Frame, the softest riding area on the frame. The BikeWing® carrier holds two bikes safely, securely and simply by the wheels.

The adjustable wheel cradles and SwayStop straps secure the bike wheels to the bike carrier for a secure ride. The Jack-It allows travel trailer owners to utilize the valuable rear hitch/cargo space for additional gear and gives owners a new cargo utilization space.

FEATURES

- 25-pound total weight
- 80-pound total capacity
- Fits most A-Frame travel and cargo trailers
- Frees up travel trailer's rear hitch/cargo area
- Fits all bike frames
- Carries your bikes by the wheels for balance, stability and ease of use
- PowerTower™ frame protects tongue jack from impact
- Includes (2) SwayControl cradles, (2) Lockable NoMotion™ pins and (3) 3/8"-16 1-1/2" bolts

part #	description
429756	Jack-It Bike Rack



BIKE RACKS & CARGO MANAGEMENT

HITCH-MOUNTED BIKE RACKS

- Arms fold down when not in use for compact storage
- Threaded anti-wobble shank prevents swaying during travel
- Adjustable rubber cradles will not scratch bike frames
- Tilts away for convenient rear vehicle access
- 1-1/4" or 2" shank on 18029 and 18030
- 2" shank on 18065
- Full-color retail packaging



18029



18030



18065



18085

TRAY-STYLE BIKE RACK

- Ratcheting arms lock down onto the frames and will not loosen
- Adjustable cradles easily fit various bike sizes and styles
- Padded arms protect the bike frames from nicks and scratches
- Tilts away for convenient rear vehicle access
- Folds up when not in use for compact storage
- Threaded anti-wobble shank helps prevent bikes from swaying
- Adapter sleeve allows mounting on 1-1/4" or 2" receiver tubes



18153

BASKET CARGO CARRIER

- 6" tall sides keep items more secure during travel
- Frees up space inside the vehicle for passengers and cargo
- Constructed from heavy-duty, tubular steel
- Folding shank allows carrier to be tilted up when not in use
- Angled shank elevates carrier for more ground clearance
- Built-in reflectors add visibility for increased safety
- Easily accepts a cargo bag, cargo net or bungees
- Inside dimensions: 60" x 23-3/4" x 5-1/2"



18112

ALUMINUM CARGO CARRIER WITH RAMP

- Three-position ramp can be extended, folded vertically or stowed in the carrier
- Double-folding ramp for ergonomic operation and less wind resistance
- Ramp folds flat into the carrier for compact storage and rear vehicle access
- Built-in reflectors add visibility
- Non-skid ridges provide enhanced traction when moving up or down the ramp
- 8-bolt assembly for fast, easy installation—prevent bikes from swaying



83001 (2-pack)



83002 (4-pack)



18202 (includes netted storage bag)



CARGO STRAPS & NETS

Fully secure your items with CURT cargo straps and nets. We offer various sizes for light-duty and heavy-duty cargo. Our cargo carrier net combines the convenience of a bungee cord with the effectiveness of a rope.

LOOP IT, LOCK IT, & LEAVE IT.

Lock up the bike, ATV, grill, generator, camp chairs, dirt bike— just about anything — with the ToyLok anti-theft device. Simply bolt ToyLok onto the RV chassis, hitch or bumper and easily secure valuable personal property outside by extending the self-retracting cable, looping it through valuables and locking it with the heavy-duty padlock.



FEATURES

- Weighs only 5.5 pounds
- Easy bolt-on application
- 8,000-pound capacity cable
- Built-in clutch prevents cable snap back while retracting
- Features padlock, 2 keys and 15-foot PVC-coated cable
- Internal braking and pulley system allows users to choose the optimal cable length
- Easy bolt-on hardware kit includes two 1/4" 28 tpi x 3" bolts with security nuts



Optional mounting kits for every application



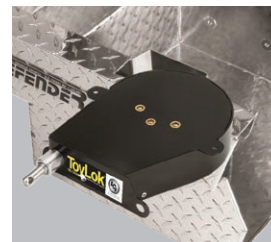
Trailer Frame



Truck stake pocket



ATV/UTV



Tool box

part #	description
337120	Toylok Anti-Theft Device; Nylon Nylon Casing; Padlock included
337111	Toylok Hitch Mounting Kit Fits 1-1/4" or 2" receivers; Hardware included
337112	Truck Mounting Adapter Mounts in truck stake pocket; protective pad and hardware included
337114	ATV/UTV Mount; Front/Rear Attaches to front or rear rack
337117	Tool Box Mount Adapter Includes hole saw, grommet and label



337111



337112



337114



337117

TOWING



BETTERWEIGH™ MOBILE TOWING SCALE



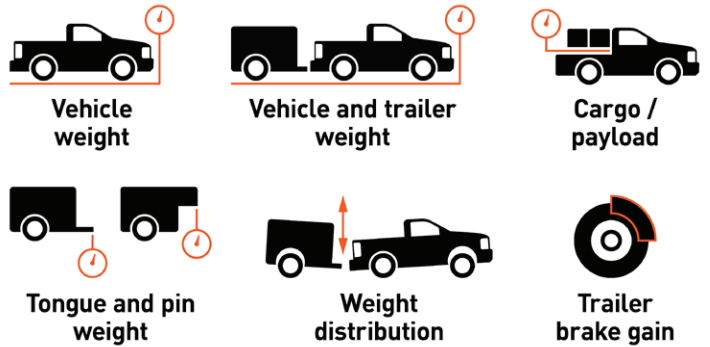
BETTERWEIGH MOBILE TOWING SCALE

- Measures real-time vehicle-trailer weights for safer, easier towing and hauling
- No more complicated at-home measurements or trips to the scale
- Bluetooth connection provides active readouts on the driver's smartphone
- No-install, plug-and-play setup into vehicle diagnostic port (OBD-II) below the dash
- Accurate within + / - 5%
- Offers easy brake controller setup by measuring exact trailer brake gain needed
- App available for Apple iOS and Android OS

HOW IT WORKS



WHAT IT MEASURES



No-install, plug-and-play setup into vehicle diagnostic port (OBD-II) below the dash

SHOCKDROP TECHNOLOGY

ShockDrop technology is an adaptive, dynamic towing system that is engineered to reduce vibrations, rattling and strain on the vehicle. It does this by using an integrated, flexible polyurethane isolator for improved comfort and control. Compared to other cushion hitch options, ShockDrop is simple and virtually maintenance-free.

FEATURES OF SHOCKDROP TECHNOLOGY

- Dampens jerking and jarring from bumps and potholes for smoother towing
- Cushioned isolator reduces rattling and vibration for a more comfortable ride
- Improved trailer control during events of sudden braking
- Minimizes stress on tow vehicle's brakes and suspension for extended longevity
- Virtually maintenance-free with no airbag or bearings to service
- Grease zerk fitting provides easy lubrication



40047

ROCKERBALL™ TRAILER BALL

- Dynamic trailer ball featuring ShockDrop technology reduces jerking and jarring
- Anti-swivel base keeps RockerBall locked in place
- Forged steel construction with a durable carbide black powder coat finish on base and chrome plating on ball
- Tested for safety to meet SAE J684 specifications
- Not compatible with Rebellion XD ball mount



45949

REBELLION™ XD ADJUSTABLE CUSHION HITCH BALL MOUNT

- Dynamic, adaptive suspension ball mount featuring ShockDrop technology
- Lighter-weight design for less stress on the trailer hitch receiver
- 6-1/4" maximum drop and 1/4" rise (shank cannot be used in the rise position)
- Cast steel construction with a textured, dark grey teridium finish for a premium look on your vehicle
- Tested and rated for 15,000 lbs. GTW and 1,500 lbs. TW
- Fits trailer hitches with a 2" x 2" receiver tube opening
- Equipped with 1-1/4" hole (trailer ball sold separately)



Adjustable, six-position head for precise leveling with different trailers



Retrofits onto ball mounts with 2-1/2" wide tongues to improve the towing experience



Grease zerk fitting on the bottom of the shank provides easy lubrication

TOWING ACCESSORIES



CLASS 3 BALL MOUNTS

- Fits any 2" x 2" receiver tube opening
- Multiple drop and rise options to accommodate various vehicle-trailer combinations
- Loaded mounts include a factory-torqued trailer ball and pin & clip
- Increased drop on select models allows for level towing with lifted vehicles



REDUCER SLEEVES

- #45405 reduces a 2-1/2" x 2-1/2" receiver tube opening to fit a 2" x 2" shank
- #45408 two-piece set reduces a 3" receiver tube opening to fit a 2-1/2" shank or 2" shank



HITCH PINS & CLIPS

- Secures ball mounts and other receiver tube inserts
- Bent handle for an easier grip



WHEEL CHOCK SET

- Raised tread offers a better grip on the wheel
- Saw-tooth edges on the base provide solid traction on the ground
- Always to be used with vehicle brake
- Not for commercial use



FORGED BALL MOUNTS

- Fits any 2" x 2" receiver tube opening
- Solid, forged steel for superior strength



TRAILER BALLS

- Chrome-plated, stainless steel and raw trailer balls available
- Fine threads provide superior holding strength
- Tested for safety to meet U.S. VESC specifications



HITCH & COUPLER LOCKS

- 1/4-turn lock activation
- Watertight dust cap
- Two keys included



23256

5TH WHEEL HITCH LOCK

- Locks a 5th wheel hitch into the rails, taking the place of a pin & clip
- Installs tight against the lip of the base rail for enhanced security
- Extra-long 1/2" diameter pin fits all industry-standard base rails
- Rust-free aluminum housing with a durable black powder coat finish
- Easy-to-access, 1/8-turn lock activation



Mounting bracket can be bolted or welded to the trailer



23255



25081



25011

SAFETY PINS

- Quickly secures coupler latches, pintle hooks, jack legs or caster wheels
- Square retainer wire clip adds clearance

5TH WHEEL KING PIN LOCK

- Locks on to 5th wheel kingpin to deter theft
- Built with an aluminum body for corrosion resistance
- Two keys included for added convenience

part #	description	specifications
45949	Rebellion XD cushion hitch mount	15,000 lbs. / 6-1/4" drop / 1/4" rise
40004	Trailer ball, bulk	6,000 lbs. / 2" ball / 1" shank
40005	Trailer ball, bulk	7,500 lbs. / 2-5/16" ball / 1" shank
40006	Trailer ball, bulk	10,000 lbs. / 2-5/16" ball / 1-1/4" shank
40007	Trailer ball, bulk	10,000 lbs. / 2-5/16" ball / 1" shank
40030	Trailer ball, bulk	15,000 lbs. / 2-5/16" ball / 1-1/4" shank
45030	Ball mount, class 3	7,500 lbs. / 2" drop / 3/4" rise
45050	Ball mount, class 3	7,500 lbs. / 4" drop / 2" rise
45070	Ball mount, class 3	7,500 lbs. / 6" drop & 6,000 lbs. / 4" rise
45036	Ball mount, class 3, loaded	7,500 lbs. / 2" drop / 2" ball
45056	Ball mount, class 3, loaded	7,500 lbs. / 4" drop / 2" ball
45042	Ball mount, class 3, loaded	7,500 lbs. / 4" drop / 2-5/16" ball
45041	Ball mount, class 3, loaded	7,500 lbs. / 2" drop / 2-5/16" ball
45340	Ball mount, forged	17,000 lbs. / 2" drop / 1" rise
45341	Ball mount, forged	17,000 lbs. / 4" drop / 3" rise
45342	Ball mount, forged	17,000 lbs. / 6" drop / 5" rise
21581	Hitch pin & clip, hole-style	5/8" pin fits up to 2-1/2" receivers
21506	Hitch pin & clip, groove-style	5/8" pin fits up to 3" receivers
21501	Hitch pin & clip, hole-style	5/8" pin fits up to 2" receivers
45405	Reducer sleeve	2-1/2" to 2"
45408	Reducer sleeve	3" to 2-1/2" or 2-1/2" to 2"
23255	5th wheel lock, king pin	--
23256	5th wheel lock, base rail	1/2" pin diameter
23021	Hitch lock, dead bolt, chrome-plated	5/8" pin fits up to 3" receivers
23025	Hitch lock, barbell, chrome-plated	5/8" pin fits up to 3" receivers
23519	Hitch lock, barbell, stainless steel	5/8" pin fits up to 2-1/2" receivers
23528	Hitch lock, barbell, chrome-plated	5/8" pin fits up to 2-1/2" receivers
23503	Coupler lock, adjustable	1/4" pin fits latches 1" to 3"
22800	Wheel chock	--
25081	Safety pin	1/4" pin / 2-3/4" long
25011	Safety pin	5/16" pin / 3" long



WEIGHT DISTRIBUTION

Level your vehicle and trailer and get safer, smooth towing with a CURT weight distribution hitch. We offer trunnion and round bar WD hitches. Add a sway control unit for even more control or select the TruTrack™ for combined weight distribution and integrated sway control.



TRUTRACK™ WEIGHT DISTRIBUTION SYSTEM

- Integrated sway control actively resists sway and levels the vehicle and trailer
- Welded head with cast pieces provides solid spring bar attachment
- Uses spring & cam system with hardened components, instead of metal friction
- Brackets use friction to resist lateral movement, replacing a sway control
- Fits virtually all A-frame trailers

part #	description
17500	TruTrack™ weight distribution system 8,000 - 10,000 lbs.
17062	MV round bar weight distribution kit 8,000 - 10,000 lbs.
17063	MV round bar weight distribution kit 10,000 - 14,000 lbs.
17200	Sway control



MV ROUND BAR WD KITS & SWAY CONTROL

- Grease zerk fitting provides easy, continuous lubrication
- Snap-up brackets and lift handle for easy leveraging of spring bars
- Heavy-duty, fabricated head can be adjusted for precise leveling

Sway control units reduce lateral movement, commonly caused by the wind, while pulling a trailer. The diagrams below illustrate the effectiveness of using sway control units. Two sway control units should be used for maximum control and stability.

BRAKE CONTROLLER

ECHO® MOBILE

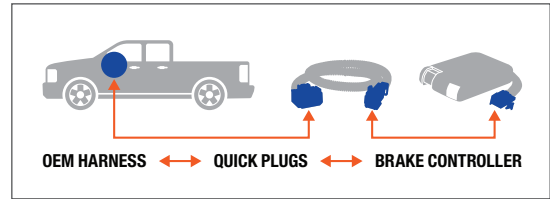
- Wireless, portable design allows for easy transfer from one vehicle to another
- Bluetooth connection to control all brake settings from your smartphone
- Custom-designed app monitors brake activity and sends status updates
- Zero-tool, plug-and-play install between vehicle-trailer 7-way connectors
- Triple-axis, motion-sensing accelerometer for highly responsive, smooth stops
- Stores multiple user and vehicle-trailer profiles
- Multi-color LED indicates power, trailer detection and wireless connectivity
- Potted circuit board is sealed off from the elements for lasting durability
- Locking tab helps maintain a strong connection
- App available for Apple iOS and Android OS



part #	description
51180	Echo mobile brake controller

BRAKE CONTROLLERS

- Easily calibrated for all towing needs
- Compatible with anti-lock brakes and cruise control
- Includes mounting hardware, if necessary
- Informative, full-color retail packaging



Quick plug equipped for fast, easy installation (excluding Echo®)



51170



51140



51120



51110

SPECTRUM™

Integrated OE look
Hidden main module
Tri-color LED display

TRIFLEX™

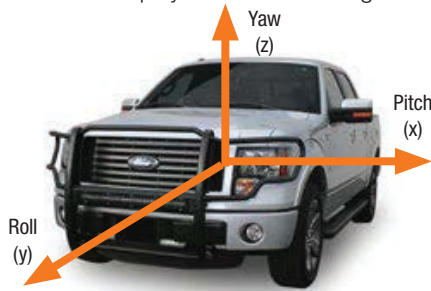
Tri-axis sensitivity
Auto adjustment
Digital display

DISCOVERY™

Time-based
Adjustable output
Digital display

VENTURER™

Time-based
Adjustable output
Ramp-up LED display



Tri-axis circuit detects inertia on three planes for greater sensitivity over dual-axis models

part #	description	activation	display	axles	brakes
51170	Spectrum	Tri-axis inertia	Tri-color LED	1 - 4	2 - 8
51140	TriFlex	Tri-axis inertia	Digital	1 - 4	2 - 8
51120	Discovery	Time-based	Digital	1 - 4	2 - 8
51110	Venture	Time-based	LED	1 - 3	2 - 6

5TH WHEEL HITCHES

A CURT 5th wheel hitch is your ticket to freedom, giving you confidence for the road ahead. We offer 5th wheel hitches and mounting options to perfectly suit your truck and trailer, including OEM puck products.

ADVANTAGE OF OEM PUCK SYSTEM LEGS

These products make installation and removal of a 5th wheel hitch easier than ever, using the OEM puck system built into select pickup trucks.



16021 Ram legs shown with 16540 5th wheel head

16K
GTW



16120

20K
GTW



16140

25K
GTW



16180

A-SERIES 5TH WHEEL HITCHES

The A-series is named for its articulating head design. The head is built on a patented cast yoke that offers a stable, quiet ride, even with large 5th wheel trailers. This cast yoke also features torsion springs and poly-torsion inserts to support the head and add even more stability to the connection.

- Lockable, self-resetting handle for fewer steps while coupling
- One-pin head attachment for easy removal and relocation
- High-strength interlocking jaws to add security and reduce noise
- Compatible with rotating pins boxes, such as Sidewinder™

THREE-POSITION COUPLING INDICATOR



Three-position coupling indicator clearly shows coupling status

○ UNCOUPLE Jaws unlocked, ready to uncouple

△ COUPL Jaws open, ready to couple

○ TOW Jaws locked, ready to tow



16428 brackets shown with 16204 base rails

CUSTOM BRACKETS & BASE RAILS

- Vehicle-specific bracket applications eliminate drilling, cutting installation time in half
- Brackets designed to be used with CURT industry-standard base rails
- Protected by a rust-resistant liquid Bonderite® coating



16721025



16722

5TH WHEEL LUBE PLATES

- Provides a buffer between 5th wheel head plate and kingpin box
- Reduces normal wear and tear when towing
- Eliminates messy grease deposits on hitch head plate
- Constructed from tough polyethylene

part #	description	applications
16204	Base rails only, universal	
16200	Base rails and hardware, universal	
16120	5th wheel with legs, A-series, 16K	
16140	5th wheel with legs, A-series, 20K	
16180	5th wheel with legs, A-series, 25K	
16427	Custom under-bed brackets	Ram
16428	Custom under-bed brackets	Ford
16429	Custom under-bed brackets	Chevrolet / GMC
16722	5th wheel lube plate, 12"	
16721025	5th wheel lube plate, 10", 25-pack	



5TH WHEEL PUCK SYSTEM LEGS

Installing a 5th wheel hitch couldn't be easier than with CURT OEM puck system 5th wheel legs or rollers. They simply drop into the truck bed puck system built into select pickups and instantly provide a solid mounting platform for a 5th wheel hitch.

- Allows CURT 5th wheel hitches to fit an OEM puck system
- Quarter-turn anchors allow for quick installation and removal
- Anchors can be adjusted to eliminate chocking between the legs and under-bed platform
- Highly durable carbide powder coat finish



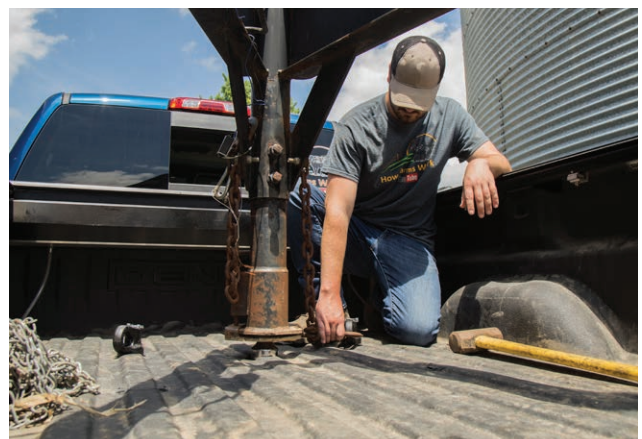
5TH WHEEL HITCH HEAD

- Lockable, self-resetting handle for fewer steps while coupling
- Fully articulating torsion head for controlled coupling and stable towing
- Alignment pegs and easy-access mounting bolts for simple leg-to-body attachment
- Cast yoke and poly-torsion inserts suppress shock loads and reduce noise
- One-pin head attachment for easy removal and relocation
- High-strength interlocking jaws to add security and reduce noise
- Compatible with rotating pins boxes, such as Sidewinder™

OEM PUCK SYSTEM GOOSENECK KITS

Available for Chevrolet, Ford, GMC, Nissan and Ram, these kits utilize the truck bed puck system built into select pickups with the towing prep package. The ball and anchors easily drop into the pucks, lock into place and are immediately ready to couple.

- Kits include a 2-5/16" gooseneck ball, two safety chain anchors, rubber hole cover and durable storage case
- Ball installs easily with quarter-turn latch locking system and anchors simply drop in, eliminating the need for tools
- Wide openings accept large safety chain hooks
- Stainless steel retention balls keep the gooseneck ball's shank fully locked into the hitch



part #	description	applications
16017	5th wheel legs, OEM puck system, 24K	Ford trucks with puck system
16021	5th wheel legs, OEM puck system, 25K	Ram trucks with puck system
16025	5th wheel legs, OEM puck system, 25K	Chev / GMC trucks with puck system
16520	5th wheel head, A-series, 16K	
16540	5th wheel head, A-series, 20K	
16580	5th wheel head, A-series, 25K	
60692	Gooseneck kit, OEM puck system, 30K	Chev, Ford, GMC, Nissan trucks w/ pucks
60618	Gooseneck kit, OEM puck system, 30K	Ram trucks with puck system

TOWING ELECTRICAL



7-WAY RV BLADE PLUG & SOCKET & MOUNTING BRACKET

- Concealed terminals help ensure a reliable connection
- Splices into existing vehicle or trailer wiring (wires not included)
- High-strength steel bracket secures socket to the vehicle or hitch



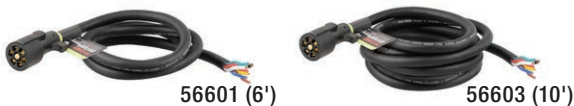
7' CUSTOM WIRING HARNESS EXTENSION

- Routes a 7-way RV blade socket into truck bed while retaining use of rear socket
- Simple plug-and-play design; no cutting or splicing
- Allows for easy connection of 5th wheel or gooseneck wiring
- Vehicle-specific, plug-and-play design



BREAKAWAY KITS

- Activates electric trailer brakes in the event of a breakaway
- Meets DOT requirements for holding / breakaway situations
- Compatible on trailers with up to three axles
- LED lights indicate a good charge, battery charging or low battery (#52044)
- Bolt-on mounting system for secure installation on the trailer
- Required in most states



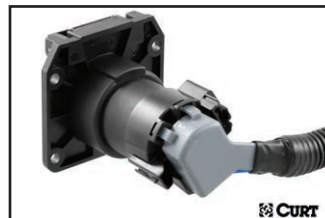
7-WAY RV BLADE REPLACEMENT HARNESSES

- Replaces the trailer-end plug of any 7-way harness
- Wires protected by heavy-duty, weather-resistant cable
- Double-sided blades for improved connectivity



EASY-MOUNT ELECTRICAL BRACKETS

- Allows connectors to be hitch-mounted with no drilling or clamping required
- Two threaded stainless steel bolts provide secure attachment to the hitch
- Notched design allows convenient access to pin & clip
- Steel body will not break like competitive plastic products
- Protected by a durable powder coat finish
- Patent #5,664,304



Right-angle plug for easy installation



7' routes socket into rear of the truck bed



BREAKAWAY KIT REPLACEMENT PARTS

- For use with trailer breakaway systems
- Breakaway switch with 10' leads connects tow vehicle to trailer breakaway battery (#52010)
- Sealed lead acid battery for 1-3 axle trailers (12-volt, 5 amps per hour)



4-WAY FLAT PLUG & SOCKET

- Splices into existing wiring
- Bonded wires and durable molded rubber
- For use on vehicles and trailers with two-wire systems



57271

7-WAY RV BLADE ADAPTER HARNESS

- Adapts 7-way RV blade vehicle socket to fit 4-way flat trailer plugs
- UV-resistant coiled cable extends up to 5' without scraping the ground
- Simple plug-and-play design



58271

7-WAY RV BLADE CONNECTOR TESTER

- Tests 7-way RV blade for tail, brake, reverse, turn signals, brakes and auxiliary power
- Confirms proper function of vehicle-side wiring connector
- Constructed with LED lights for long-lasting use

part #	description	location
52028	Breakaway kit, SoftTrac II	--
52044	Breakaway kit, push-to-test	--
52010	Breakaway switch, nylon	--
52023	Battery, 5.4 amp, rechargeable	--
56070	Custom wiring extension harness	Vehicle end
56601	Replacement harness, 6', 7-way RV blade	Trailer end
56603	Replacement harness, 10', 7-way RV blade	Trailer end
57271	Adapter harness, 5', 7-way RV blade to 4-flat	From vehicle to trailer
58355	Socket, 48" / Plug, 12", 4-way flat	Vehicle & trailer ends
58141	Plug, 7-way RV blade	Trailer end
58151	Socket, 7-way RV blade	Vehicle end
58271	Tester, connector	Vehicle end



4-Way Flat Plug & Socket	32	Equa-Flex® Rubberized Equalizer	4
5th Wheel Hitch Head	31	Equalizers	11
5th Wheel Hitch Lock	26	Forged Ball Mounts	26
5th Wheel King Pin Lock	27	Hangers	12
5th Wheel Lube Plates	30	Hitch & Coupler Locks	26
5th Wheel Puck System Legs	31	Hitch-Mounted Bike Racks	21
7' Custom Wiring Harness Extension	32	Hitch Pins & Clips	26
7-Way Rv Blade Adapter Harness	33	Hubs	9
7-Way Rv Blade Connector Tester	33	Bearing Assemblies	9
7-Way Rv Blade Plug & Socket & Mounting Bracket	32	Grease Seals	9
7-Way Rv Blade Replacement Harnesses	32	JT's Strong Arm Jack Stabilizer Kits	18
A-Frame Jacks	17	JT's Strong Arm Jack Accessories	18
A-Series 5th Wheel Hitches	30	Jack-It® Double Bike Carrier	20
Advantage Of Oem Puck System Legs	29	Manual Sidewinder Jack	18
Attaching Part Kits	10	Manual Stabilizer Jacks	18
Axle Mounting Kits & Hardware	12	Marine Jacks	17
Axle Replacement Parts	5-6	Oem Puck System Gooseneck Kits	31
Forward Self-Adjusting Brakes	7	Power Tongue Jack	15
Axle Springs	10	Quick Drop Tongue Jack	18
Betterweigh Mobile Towing Scale	24	Reducer Sleeves	26
Brake Controller	29	Safety Pins	27
Breakaway Kit Replacement Parts	32	Shackle Links & Assemblies	11
Breakaway Kits	32	Shockdrop Technology	25
Class 3 Ball Mounts	26	Smart Jack	15
Custom Brackets & Base Rails	30	Spindle Washers	11
Dust Caps	13	Trailer Balls	26
Easy-Mount Electrical Brackets	32	Trutrack Weight Distribution System	28
Echo® Mobile	28	MV Round Bar Wd Kits & Sway Control	28
Electric Brake Assemblies & Parts	8	U-Bolts	11

