



# Hose Reels





## Why use Hose Reels?

### Improve Safety

Hose reels prevent hose from cluttering walkways, reducing slips and falls.

### Increase Productivity

Maintaining hose within easy reach saves time and money.

### Maximize Equipment Life

Storing hoses and cords on reels prevents them from being stepped on or run over by equipment, increasing their service life.

### Minimize Leaks & Spills

Using hose reels reduces leakage and spills of expensive fluids and air.

## Why Alemite Reels?

Since 1918, Alemite has been supplying quality hose reels to meet a wide range of applications, from industrial to lube truck to vehicle maintenance facilities. With a reputation for manufacturing the best reels in the industry, Alemite is the brand professionals depend on to deliver high performance and unmatched reliability.

Designed and produced with uncompromising attention to detail, Alemite's full line of reels offers the quality you expect from the leader in lubrication and fluid management equipment. Found everywhere from rugged mines to state-of-the-art fleet garages, Alemite reels are engineered for high performance, durability, and ease of maintenance and operation.



# Which Reel is Right for My Needs?



## Hose Inside Diameter (ID), Outside Diameter (OD), and Length

Determine size, length, and type of hose/cable needed. Use quality hose rated for the service and operating pressures required. Poor quality hose can expand and contract under pressure surges, causing hose on the reel to bind and rendering it inoperable. For cord reels, use quality cable, properly sized with the correct number of conductors to carry the proper amperage and voltage.

### Typical pressure configurations:

High pressure: Handles up to 6,000 psi (414 bar); ideal for dispensing grease.  
Medium pressure: Handles up to 1,500 psi (103 bar); ideal for dispensing oil.  
Low pressure: Handles up to 300 psi (21 bar); ideal for dispensing air and water.



## Size and type of swivel joint and seal for inlet and outlet

In selecting your reel, note the size of your hose versus the inlet and outlet sizes.

## Retraction Method

**Spring-driven:** A drive spring winds as the hose is pulled from the reel, developing the power required to retract the hose when it is no longer needed. This design includes a latch to lock the spring tension during use, maintaining desired hose length. Spring-driven reels require no external power source to drive the reel during retraction.

**Hand Crank:** Operator must manually crank the reel and guide the hose or cord evenly as it wraps around the drum to reach full capacity. Ideal for applications that require long hose lengths.



## Mounting Space and Position

Determine the amount of space available and the mounting position you require: floor, ceiling, wall, bench top, truck, etc.

## Ambient Conditions

Will the hose and reel be used indoors, outdoors, in hygienic or corrosive areas? What operating temperatures will the hose and reel be required to withstand?

## Additional Options

Consider mounting brackets, hose, swivels, hose stops, etc.



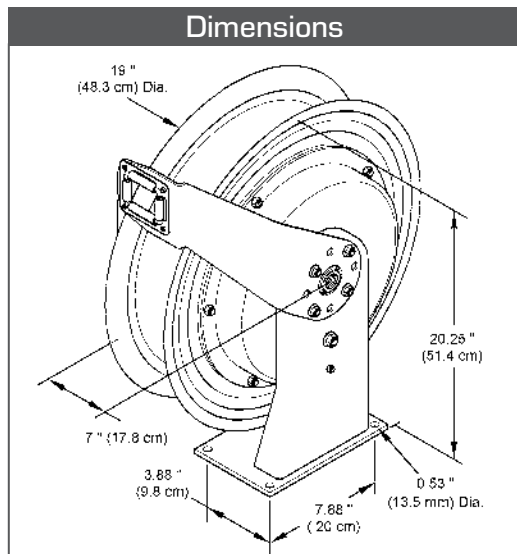
# Heavy Duty Reels



There is no substitute for durable, high-quality equipment that will meet the demands of today's tough working conditions. With that in mind, we've designed our heavy-duty reels to meet the reliability needs for virtually any application.

## Features and Benefits:

- **Anti-lockout Design:** Ratchet prevents lockup when hose is fully extended, eliminating the need to manually release the pawl at the reel.
- **Superior Performance:** Swivel and reel ball bearings reduce torque load on power spring for smooth retraction and durability.
- **Corrosion Resistant:** Sealed bearings prevent contamination and minimize maintenance.
- **Easy Installation and Maintenance:** Factory lubricated one-piece power spring cassette makes installation safer and maintenance easier.
- **Durable:** Heavy metal arbor design withstands extreme stress and eliminates breakage associated with non-metal and lightweight metal arbors.
- **Adjustable and Versatile:** Five-position guide arm allows hose to release at optimum position. Narrow design allows for maximum use of available space.



### Fluids

Air/Water, Oil, Grease

### Mounting

Floor, Wall, Ceiling, Bench Top, Tank

### Markets / Applications

Mining, Construction Sites, General Repair Facilities, General Manufacturing, Metals Processing, Pulp/Paper

Reel Package*	Max Pressure	Reel Type	Bare Reel	Delivery Hose Spec.	Weight	Connecting Hose Inlet	Delivery Hose Outlet
8078-E***	200 psi	Air/Water	7336-B	3/8" x 30' (317803-30)	51 lb.	1/2" NPTF(m)	1/4" NPTF(m)
8078-F***	200 psi	Air/Water	7336-B	3/8" x 50' (317803-50)	53 lb.	1/2" NPTF(m)	1/4" NPTF(m)
8078-M***	200 psi	Air/Water	7336-B	1/2" x 50' (317811-50)	61 lb.	1/2" NPTF(m)	1/2" NPTF(m)
8078-C	1,500 psi	Oil	7335-B	1/2" x 30' (317813-30)	56 lb.	1/2" NPTF(m)	1/2" NPTF(m)
8078-D	1,500 psi	Oil	7335-B	1/2" x 50' (317813-50)	58 lb.	1/2" NPTF(m)	1/2" NPTF(m)
8078-A**	6,400 psi	Grease	7334-B	1/4" x 30' (317874-30)	56 lb.	3/8" NPTF(m)	1/4" NPTF(f)
8078-B**	6,400 psi	Grease	7334-B	1/4" x 50' (317874-50)	59 lb.	3/8" NPTF(m)	1/4" NPTF(f)
8078-T	6,400 psi	Grease	7334-B	3/8" x 50' (317870-50)	63 lb.	3/8" NPTF(m)	3/8" NPTF(f)

\* Reel Package includes reel, delivery hose, connecting hose, and hose stop

\*\* "Z" swivel must be ordered separately

\*\*\* Air coupler for 8078-E & 8078-F is 328030 and air adapter is 328034; air coupler for 8078-M is 328031 and air adapter is 328033



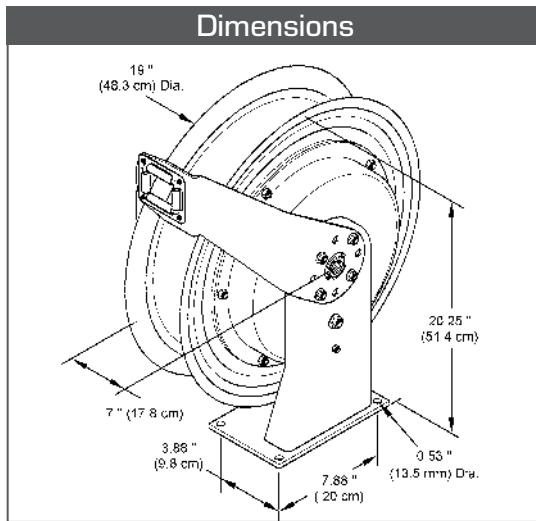
# Severe Duty Reels



Tough jobs demand tough equipment. That's why when you're working in extreme conditions you need the strength and durability of Alemite's Severe Duty Reels. Engineered to withstand the most demanding environments, Severe Duty Reels contain all the features of Alemite's Heavy Duty Reels, plus:

## Features and Benefits:

- **Easy Installation and Maintenance:** Factory lubricated one-piece power spring cassette makes installation safer. Removable rollers provide easy cleaning and service.
- **Durable:** Heavy metal arbor design withstands extreme stress and eliminates breakage associated with non-metal and lightweight metal arbors. The 1/4 in (6 mm) base is thicker than our Heavy Duty reel and is fully welded to ensure off-road stability.
- **Corrosion Resistant:** Weather-resistant gaskets and O-rings protect internal components from corrosion.



### Fluids

Air/Water, Oil, Grease, Diesel Fuel, Gasoline

### Mounting

Floor, Wall, Ceiling, Bench Top, Tank

### Markets / Applications

Lube Trucks, Mining, Construction Sites, General Industrial Manufacturing, Metals Processing, Pulp/Paper, Marine

Reel Package*	Max. Pressure	Reel Type	Bare Reel	Delivery Hose Spec.	Connecting Hose	Weight	Connecting Hose Inlet	Delivery Hose Outlet
8078-R**	200 psi	Air/Water	7336-C	3/8" x 30' (317803-30)	317811-2	53 lb.	1/2" NPTF(m)	1/4" NPTF(m)
8078-J**	200 psi	Air/Water	7336-C	3/8" x 50' (317803-50)	317811-2	53 lb.	1/2" NPTF(m)	1/4" NPTF(m)
8078-K	300 psi	Fuel	7337-C	3/4" x 30' (317868-30)	317868-2	71 lb.	3/4" NPTF(m)	3/4" NPTF(m)
8078-S	3000 psi	Twin Hose	7339	3/8" x 30' (340326-30)	317882-2	67 lb.	3/8" NPSM(f)	3/8" NPTF(m)
8078-P	1,500 psi	Oil	7335-C	1/2" x 30' (317813-30)	317813-2	58 lb.	1/2" NPTF(m)	1/2" NPTF(m)
8078-H	1,500 psi	Oil	7335-C	1/2" x 50' (317813-50)	317813-2	60 lb.	1/2" NPTF(m)	1/2" NPTF(m)
8078-N	6,000 psi	Grease	7334-C	1/4" x 30' (317874-30)	317876-2	58 lb.	3/8" NPTF(m)	1/4" NPTF(f)
8078-G	6,000 psi	Grease	7334-C	1/4" x 50' (317874-50)	317876-2	61 lb.	3/8" NPTF(m)	1/4" NPTF(f)

\* Reel Package includes reel, delivery hose, connecting hose, and hose stop

\*\* Air Coupler (328030) & Air Adapter (328034)

# Narrow Double Post

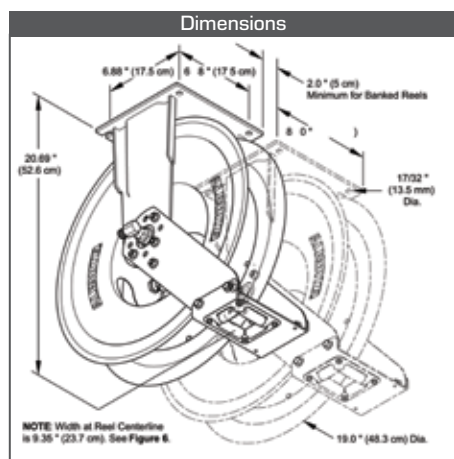
## Reels



Alemite's dual arm hose reels are engineered for optimal durability and reliability, ensuring they will withstand the toughest outdoor applications. The dual arm design provides additional strength and stability in harsh off-road environments. The base features a narrow, space-saving footprint and slots to ensure easy mounting.

### Features and Benefits:

- **Narrow Design:** 8.5" wide with slot mounting holes for easy installation.
- **Superior Performance:** Removable rollers provide easy cleaning and service. The ratchet pawl cartridge allows for fast serviceability.
- **Stress Resistant:** Heavy metal arbor design withstands extreme stress.
- **Easy Installation and Maintenance:** Factory lubricated one-piece power spring cassette makes installation safer and maintenance easier.
- **Durable:** Ratchet prevents lockup when hose is fully extended, eliminating the need to manually release the pawl at the reel.
- **Adjustable and Versatile:** Five-position guide arm provides versatile floor, wall and ceiling mounting and allows hose to release at optimum position.



### Fluids

Air/Water, Oil, Grease, Diesel Fuel, Hydraulic Fluid

### Mounting

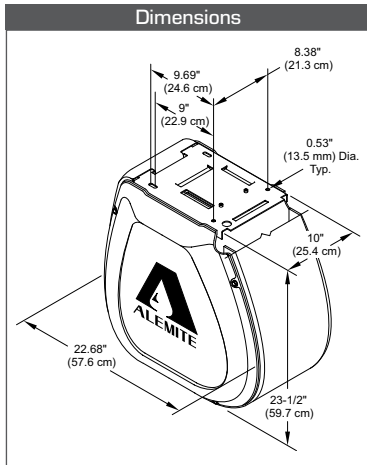
Wall, Ceiling, Floor, Bench Top, Tank

### Markets / Applications

Municipalities, Service Trucks, Mining, Golf Courses, Automotive Service Centers, Fleet & Aircraft Maintenance Facilities

Product #	Description	Bare Reel	Delivery Hose Spec.	Reel Inlet	Delivery Hose Outlet	Hose Stop	Max. Pressure
8081-A	1/4" x 30' High Pressure Assembly	7370	317874-30	3/8" NPSM(m)	1/4" NPTF(f)	337437	6,500 psi
8081-B	1/4" x 50' High Pressure Assembly	7370	317874-50	3/8" NPSM(m)	1/4" NPTF(f)	337437	6,500 psi
8081-C	1/2" x 40' Medium Pressure Assembly	7371	317813-40	1/2" NPSM(m)	1/2" NPTF(m)	337437	1,800 psi
8081-D	1/2" x 50' Medium Pressure Assembly	7371	317813-50	1/2" NPSM(m)	1/2" NPTF(m)	337437	1,800 psi
8081-E	3/8" x 40' Low Pressure Assembly	7372	317803-40	1/2" NPSM(m)	1/4" NPFT(m)	337437	200 psi
8081-F	3/8" x 50' Low Pressure Assembly	7372	317803-50	1/2" NPSM(m)	1/4" NPTF(m)	337437	200 psi
8081-G	1/2" x 50' Low Pressure Assembly	7371	317811-50	1/2" NPSM(m)	1/2" NPTF(m)	337437	200 psi
8081-H	3/8" x 30' High Pressure Assembly (Twin Hose)	7374	340326-30	3/8" NPSM(m) (both inlets)	3/8" NPTF(m)	339389-3	3,000 psi
8081-J	3/8" x 50' High Pressure Assembly	7370	317870-50	3/8" NPTF(m)	1/4" NPTF(f)	337437	4,000 psi
8081-K	3/4" x 30' Low Pressure Fuel Reel Assembly	7373	317868-30	3/4" NPSM(m)	3/4" NPTF(m)	339389	200 psi

# Shielded Reels



When your workplace is in view of your customers, cleanliness and appearance are important. For such situations, our shielded reels offer the perfect blend of looks and performance. Placed together in a bank, shielded reels feature a track system for easy installation. Reels may also be customized with your logo.

### Features and Benefits:

- **Durable, Attractive Design:** Side panels are constructed of ABS Polymer for impact and stain resistance. Attractive casing offers enhanced eye appeal.
- **Quick Installation:** Track system makes installation of reels quick and easy. Banked shields butt against one another to minimize space used.
- **Easy Maintenance:** Roller guides are attached to the hose reel for convenient servicing.

**Fluids**  
Air/Water, Oil, Grease, ATF, Hydraulic Oil

**Mounting**  
Ceiling

**Markets / Applications**  
Automotive Dealerships, Quick Lubes, Automotive Repair Garages, Machine Shops, Transit Facilities, Large Fleet Shops

Product #	Reel Type	Pressure	Bare Reel	Delivery Hose Spec.	Connecting Hose	Weight	Connecting Hose Inlet	Delivery Hose Outlet
8079-A*	Grease	6,000 psi	7334-D	1/4" x 30' (317874-30)	317876-2	73 lb.	3/8"(m)	1/4"(f)
8079-B*	Grease	6,000 psi	7334-D	1/4" x 50' (317874-50)	317876-2	76 lb.	3/8"(m)	1/4"(f)
8079-C	Oil	1,500 psi	7335-D	1/2" x 30' (317813-30)	317813-2	73 lb.	1/2"(m)	1/2"(m)
8079-D	Oil	1,500 psi	7335-D	1/2" x 50' (317813-50)	317813-2	75 lb.	1/2"(m)	1/2"(m)
8079-E	Air/Water	300 psi	7336-D	3/8" x 30' (317803-30)	317811-2	68 lb.	1/2"(m)	1/4"(m)
8079-F	Air/Water	300 psi	7336-D	3/8" x 50' (317803-50)	317811-2	70 lb.	1/2"(m)	1/4"(m)

\* Reel Package includes reel, delivery hose, connecting hose, and hose stop

# Shielded Reel Accessories



Cabinet Kit  
7331



End Panel Kit  
339371

Product #	Description	Weight
7331*	Cabinet kit for one cabinet hose reel	10.5 lb.
339371**	End panels for one bank of cabinet hose reels	5.4 lb.
339368	Strut for single reel installation	N/A

\* Order one per reel.  
\*\* Order one kit for each bank of reels.

# Twin Hose

## Reels



Alemite's twin hose reels are constructed to the same high quality standards as all of our reels. These reels are available in severe duty, narrow double post, and high-capacity double post designs.

### Features and Benefits:

- **Long-life Design:** Sealed spring cassette protects the power spring from corrosion caused by water and dirt. Sealed rollers eliminate contamination that can bind the hose guide rollers. Lifetime Warranty on Hose Guide Assembly.
- **Superior Bearing Performance:** Reduces torque load on power spring for smooth retraction and durability.
- **Easy Installation:** Outlet port swivel nut makes installing the delivery hose quick and easy.
- **Versatile Mounting:** Adjustable arm allows for mounting on a floor, ceiling or wall. Narrow width allows for more reels to be mounted along a truck bed.
- **Strength and Stability:** Double arm provides extra support for a larger hose during use. Four-corner bolt hole pattern on outside of base provides extra stability.
- **High Volume Capacity Flow Passage:** Reduces fill rate time and improves efficiency.



#### Fluids

Air/Water, Oil, Grease, Diesel Fuel, Gasoline

#### Mounting

Service Trucks, Walls, Tanks, Construction Equipment, Ceiling

#### Markets / Applications

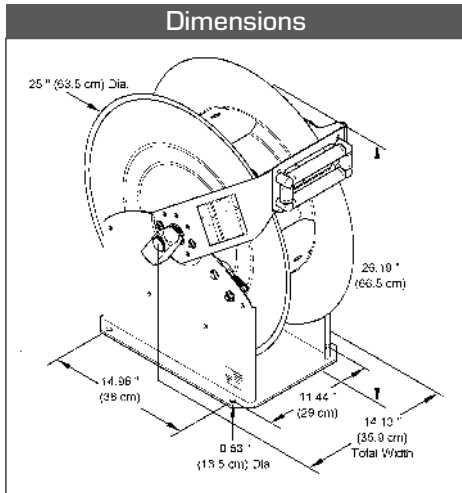
Trucks, Garages, Cranes, Construction Equipment, Hydraulic Tools, Vehicle Extraction Tools, Aerial Device, Hydraulic Cylinders, Tree Cutters, Digger Derricks, Railroad Maintenance Tools

Product #	Pressure	Reel Type	Bare Reel	Delivery Hose Spec.	Weight	Reel Inlet	Delivery Hose Outlet	Connecting Hose*	Connecting Hose Inlet*
8078-S	3,000 psi	Twin Hose	7339	3/8" x 30' (340326-30)	67 lb.	3/8" NPSM(f)	3/8" NPTF(m)	317882-2	3/8" NPSM(f)
8080-K	3,000 psi	Twin Hose	7343	3/8" x 80' (340326-80)	165 lb.	3/8" NPSM(f)	3/8" NPSM(m)	317882-2	3/8" NPSM(f)
8080-L	3,000 psi	Twin Hose	7344	1/2" x 80' (340328-80)	180 lb.	1/2" NPSM(f)	1/2" NPTF(m)	No part no.	1/2" NPSM(f)
8081-H	3,000 psi	Twin Hose	7374	3/8" x 30' (340326-30)	70 lb.	3/8" NPSM(f)	3/8" NPTF(m)	317882-2	3/8" NPSM(m)

\* Hoses are not supplied with the assembly



# High Capacity Reels



If you need high-volume delivery in a reel that will withstand the most severe outdoor conditions, then you need Alemite's High Capacity Reel. Capable of handling up to 100 ft (30 m) of 1/2 in (13 mm) diameter or up to 50 ft (15 m) of 1 in (25 mm) diameter hose, these corrosion-resistant reels are ideal for severe conditions.

## Features and Benefits:

- **Long-life Design:** Sealed spring cassette protects the power spring from corrosion caused by water and dirt. Sealed rollers eliminate contamination that can bind the hose guide rollers. Lifetime Warranty on Hose Guide Assembly.
- **Superior Bearing Performance:** Reduces torque load on power spring for smooth retraction and durability.
- **Easy Installation:** Outlet port swivel nut makes installing the delivery hose quick and easy.
- **Versatile Mounting:** Adjustable arm allows for mounting on a floor, ceiling or wall. Narrow width allows for more reels to be mounted along a truck bed.
- **Strength and Stability:** Double arm provides extra support for a larger hose during use. Four-corner bolt hole pattern on outside of base provides extra stability.
- **High Volume Capacity Flow Passage:** Reduces fill rate time and improves efficiency.



### Fluids

Air/Water, Oil, Grease, Diesel Fuel, Gasoline

### Mounting

Floor, Wall, Ceiling, Truck Bed

### Markets / Applications

Lube Trucks, Maintenance Facilities, Industrial and High Flow Applications, Marine

Product #	Max. Pressure	Reel Type	Bare Reel	Delivery Hose Spec.	Weight	Reel Inlet	Delivery Hose Outlet
8080-C	300 psi	Air/Water	7341	1/2" x 80' (317811-80)	115 lb.	1/2" NPTF(f)	1/2" NPTF(m)
8080-D	300 psi	Air/Water	7341	1/2" x 100' (317811-100)	125 lb.	1/2" NPTF(f)	1/2" NPTF(m)
8080-B	1,500 psi	Oil	7341	1/2" x 80' (317813-80)	125 lb.	1/2" NPTF(f)	1/2" NPTF(m)
8080-H	1,500 psi	Oil	7341	1/2" x 100' (317813-100)	154 lb.	1/2" NPTF(f)	1/2" NPTF(m)
8080-A*	6,000 psi	Grease	7340	3/8" x 80' (317870-80)	120 lb.	3/8" NPTF(m)	1/4" NPTF(f)
8080-E	1,000 psi	Fuel	7342	3/4" x 50' (317868-50)	145 lb.	1" NPTF(f)	3/4" NPTF(f)
8080-F	1,000 psi	Fuel	7342	3/4" x 70' (317868-70)	155 lb.	1" NPTF(f)	3/4" NPTF(f)
8080-G	1,000 psi	Fuel	7342	1" x 50' (317869-50)	165 lb.	1" NPTF(f)	1" NPTF(f)
8080-J	150 psi	Fuel	7342	1" x 50' (339634-50)	165 lb.	1" NPTF(f)	1" NPTF(f)
8080-K	3,000 psi	Twin Hose	7343	3/8" x 80' (340326-80)	165 lb.	3/8" NPSM(f)	3/8" NPSM(m)
8080-L	3,000 psi	Twin Hose	7344	1/2" x 80' (340328-80)	180 lb.	1/2" NPSM(f)	1/2" NPTF(m)

# Hand Crank

## Reels

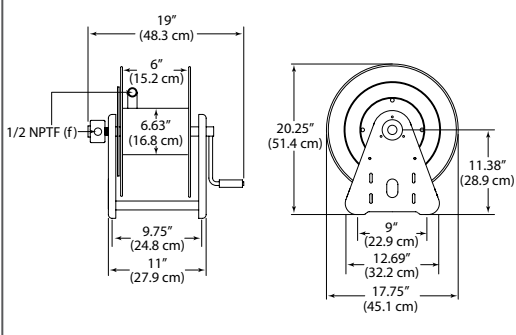


Alemite's Hand Crank Reels are designed for heavy duty applications that require long hose lengths. Ideal for industrial or outdoor use, these reels are engineered to provide trouble-free performance and long product life.

### Features and Benefits

- **Quality Design:** Full flow shaft and ball bearing swivel. Swivel is zinc-plated with Viton® O-Ring seals.
- **Rugged Construction:** Steel drum and all bolted construction. Vibration-proof self-locking fasteners.
- **Versatile:** Reel can be easily converted to power-driven type with motor mounting at either end of reel.
- **Safe:** Adjustable spool rotation drag eliminates hose backlash when de-reeling. Lock pin prevents spool rotation when reel is not in use.
- **Low Maintenance:** Dual main bearings never need lubrication.

### Dimensions



### Fluids

Air/Water, Oil, Soaps, Chemicals

### Mounting

Floor, Wall, Bench Top, Truck

### Markets / Applications

Lawn Care, Laboratories, Dairies, Pest Control, Grounds Maintenance, Agriculture, Industrial Plants, Roofing Contractors, Automotive Service Centers, Nurseries, Greenhouses, Golf Courses, Orchards, Hotels & Resorts, Car Washes, Tire Service Trucks, Restaurants, Athletic Fields, Marine Applications

Product #	Max. Pressure	Max. Hose Capacity	Weight	Reel Inlet	Reel Outlet
7350	1,000 psi	1/2" x 100'	12 lb.	1/2" NPTF(f)	1/2" NPTF(f)

# Oxygen/Acetylene

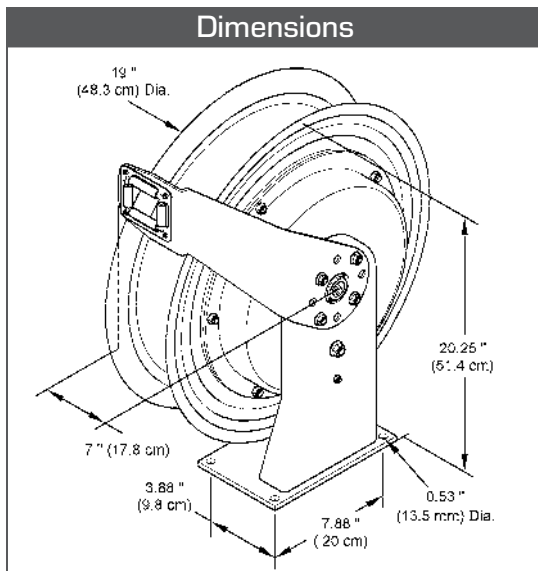
## Reels



When you're working with volatile elements, you need equipment you can rely on. That's why we engineered our Oxygen/Acetylene Reels with safety and ease of maintenance in mind. Improve your welding or cutting operation with these reels by eliminating the hazards of loose hose.

### Features and Benefits:

- **Anti-lockout Feature:** Ratchet prevents lockup when hose is fully extended, eliminating the need to manually release the pawl at the reel.
- **Superior Bearing Performance:** Heavy duty swivel and reel ball bearings reduce torque load on power spring for smooth retraction and durability.
- **Long-life Design:** Bearings are sealed to prevent contamination and minimize maintenance. Durable metal arbor design withstands extreme stress and eliminates breakage associated with non-metal and lightweight metal arbors.
- **Versatile:** Five-position guide arm enables hose to release at optimum position.
- **Easy Installation and Maintenance:** Factory-lubricated one-piece power spring cassette makes installation safer and maintenance easier.
- **UL Listed.**



**Fluids**  
Oxygen/Acetylene

**Mounting**  
Floor, Wall, Ceiling, Truck Bed, Workbench

**Markets / Applications**  
Manufacturing Facilities, Machine Shops, Automotive Repair Garages, Mines, Railroad Industry, Construction Sites, Pipelines

Reel Package*	Description	Bare Reel	Delivery Hose Spec.	Weight	Oxy & Ace Inlets	Delivery Hose Connections
8071-A	200 psi Heavy-Duty Oxy/Ace Reel	7338-B	1/4" x 30' (339539-30)	54 lb.	1/4" NPTF(f)	9/16-18"(f) Threads
8071-B	200 psi Heavy-Duty Oxy/Ace Reel	7338-B	1/4" x 50' (339539-50)	56 lb.	1/4" NPTF(f)	9/16-18"(f) Threads
8071-D	200 psi Severe-Duty Oxy/Ace Reel	7338-C	1/4" x 50' (339539-50)	57 lb.	1/4" NPTF(f)	9/16-18"(f) Threads

\* Reel Package includes reel, delivery hose, and hose stop

# Stainless Steel

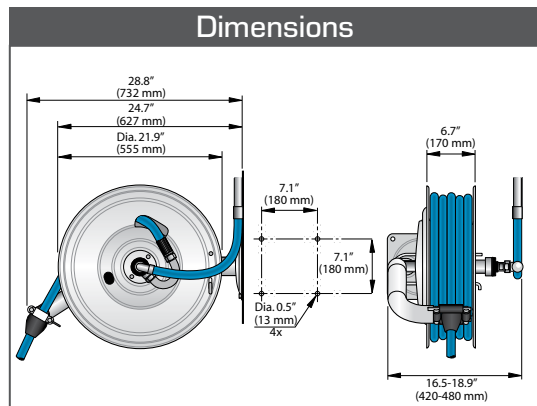
## Reels



The stainless steel design means this reel is durable and corrosion-resistant, making it an ideal choice for outdoor applications or where hygiene and quick cleanup are important. Alemite's Stainless Steel reel will provide years of trouble-free operation and easy maintenance.

### Features and Benefits

- **Convenient Locking Hose:** Ratchet locks hose into position.
- **Long-life Design:** Spring and ratchet are protected by drum. All vital parts are housed inside a watertight casing.
- **Easy Cleaning and Servicing:** Minimum number of joints and smooth, sloping surfaces simplify maintenance.
- **Safe Operation:** Double bearings and “cross-curved” spring material for safe, reliable operation.



### Fluids

Air/Water, Oil, Soaps, Chemicals

### Mounting

Floor, Wall, Ceiling, Bench

### Markets / Applications

Food Grade Wash Down Environments, Food Processing Areas, Outdoors, High Corrosive Areas, Bakeries, Breweries, Pulp and Paper Processing, Metals Processing, General Manufacturing, Mines

Product #	Max. Pressure	Max. Hose Capacity	Weight	Reel Inlet* *	Reel Outlet* *
7250-A*	1,450 psi	1/2" x 82'	36 lb.	1/2" NPTF(m)	1/2" NPTF(m)
7250-B*	2,600 psi	3/8" x 82'	36 lb.	3/8" NPTF(m)	3/8" NPTF(m)

\* Includes hose stop

\*\*With 30° internal seat for NPSM female swivel connection

# Corrosion-Resistant Aluminum

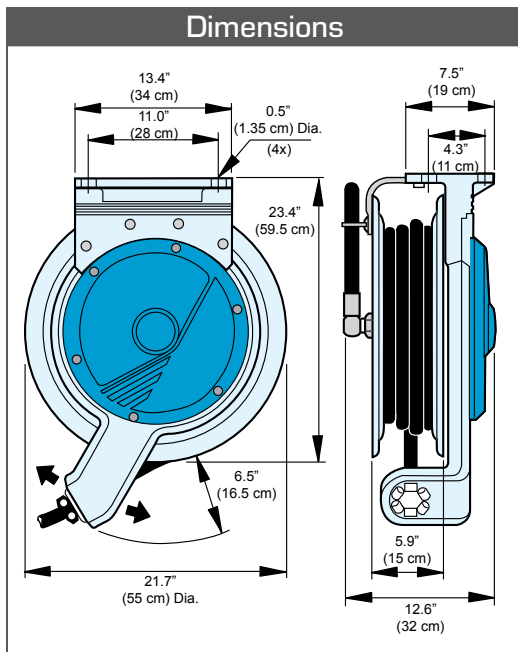
## Reels



Alemite's Corrosion-Resistant Aluminum Reels are constructed with die-cast aluminum for superior strength and durability. Their heavy duty design and compatibility with long, heavy hoses make them a great choice for the toughest applications.

### Features and Benefits

- **Superior Performance:** Drum and swivel feature ball bearings, which reduce friction and wear.
- **Corrosion Resistant:** Structural components are powder-coated aluminum. Spring and bearing are protected by an ABS plastic case.
- **Adjustable:** Outlet arm and mounting bracket are adjustable to provide optimal pull-out angle for hose, minimizing friction.
- **Convenient Locking Hose:** Ratchet locks hose at desired length; hose is easily released by gentle pulling motion.



#### Fluids

Air/Water, Oil, Grease, Diesel

#### Mounting

Floor, Wall, Ceiling, Bench

#### Markets / Applications

Pulp & Paper, Fueling, Industrial and Outdoor Applications, Marine, General Manufacturing

Product #	Inlet/Outlet*	Max. Hose Length	Max. Pressure	Application	Weight
7254-A	1/2" NPTF(m)	98' (1/2" Dia.)	725 psi	Air/Water/Oil	32 lb.
7254-B	3/4" NPTF(m)	50' (15m) (3/4" Dia.)	725 psi	Diesel/Oil	32 lb.

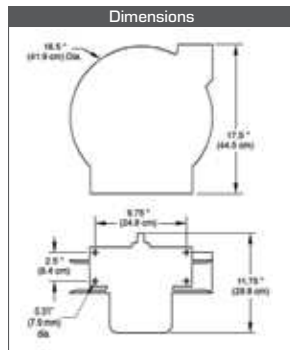
\* Includes hose stop

\*\* With 30° internal seat for NPSM female swivel connection



# Standard and Heavy Duty Electric Cord

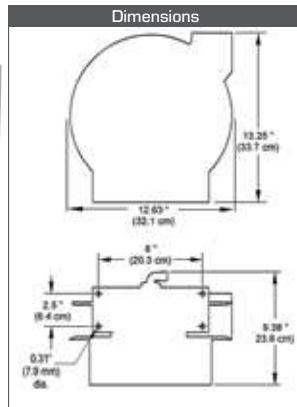
## Reels



Alemite Heavy Duty Electric Cord Reels ensure your cords are within an arm's reach, but out of the way. By minimizing the hazards of dangling electrical cords, these reels improve safety, convenience and productivity.

### Features and Benefits

- **Long-life Design:** Adjustable roller guide arm with nylon guide rollers to reduce drag and wear.
- **Easy to Use:** Adjustable bumper stop allows any desired length of cord to be maintained outside the reel. Automatic spring retraction for quick cord rewind.
- **Quality Construction:** Reel drive springs manufactured from high-quality, scaleless blue tempered steel. Steel construction provides optimal reliability in industrial applications.
- **UL Listed and CSA Certified.**



### Features and Benefits

- **Easy to Use:** Spring retractable, tangle-free encased cord makes winding and storage safe and easy.
- **Durable:** High-quality, impact-resistant polypropylene case features abrasion and corrosion resistant baked-on powder coat finish.
- **Versatile:** Adjustable cord stop with dual roller non-snag cord guide and 60" lead-in cord with convenient 180 degree swivel.
- **Safe:** GFCI receptacle protects from line-to-ground shocks hazards caused by faulty tools or appliances connected to reel.
- **UL Listed and CSA Certified.**



### CAUTION:

The GFCI receptacle is designed to protect people from the line-to-ground shock hazards which could occur from defective power tools or appliances operating from this device or from down line outlets protected by it.

The Ground Fault Circuit Interrupter does not protect against short circuits or overloads. This is the function of the fuse or circuit breaker.

Persons with heart problems or other conditions that make them susceptible to electric shock may still be injured by ground faults on circuits protected by the GFCI receptacle. No safety device will protect against all hazards or carelessly handled electrical equipment.



### Mounting

Floor, Wall, Ceiling, Bench Top, Truck

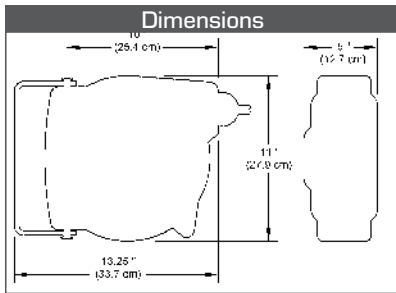
### Markets / Applications

Industrial Plants, Automotive Service Centers & Garages, Tire Stores, Service Trucks, Agriculture, Fleet Maintenance Facilities, Aircraft Maintenance, Woodworking, Workshops, Electric Tools

Product #	Outlet	Cord Size	Number of Conductors	Cord Length	Volts	Ampere	Weight
7260	Duplex with GFCI	12 gauge (3.32 mm)	3	45' (14 m)	115V	20 amp	30 lb. (14 kg)
7261	RV Plug	10 gauge (5.37 mm)	3	50' (15 m)	115V	35 amp	47 lb. (22 kg)

# Economy Electric Cord

## Reels



### CAUTION:

Risk of fire! Not for use above hazardous locations or near flammable vapors.

Alemite Standard Duty Electric Cord Reels ensure your cords are within an arm's reach, but out of the way. By minimizing the hazards of dangling electrical cords, these reels improve safety, convenience and productivity.

### Features and Benefits

- **Safe:** Tangle-free encased cord for easy winding and safe storage.
- **Durable:** High-quality, impact-resistant polypropylene case.
- **Adjustable:** Cord is spring retractable with latch and features an adjustable cord stop with dual roller and non-snap cord guide with 60" lead-in cord.
- **Versatile:** Convenient 180-degree swivel for easy handling. Standard Duty Light reel is handled with grounded outlet, and a magnetic hanger.
- **UL and CUL Listed.**



### Mounting

Floor, Wall, Ceiling

### Markets / Applications

Industrial Plants, Automotive Service Centers & Garages, Tire Stores, Service Trucks, Agriculture, Fleet Maintenance Facilities, Aircraft Maintenance, Woodworking, Workshops, Electric Tools

Product #	Cord Size	Conductors	Cord Length	Volts	Ampere	Weight	Other Info.
7262-A	12 gauge	3	40'	125V	15 amp	15.4 lb.	Triple outlets
7262-B	16 gauge	3	50'	125V	10 amp	13 lb. (5.8 kg)	Fluorescent

# Compact Air/Water

## Reels



This spring-driven, self-retracting air/water reel features a rugged housing and pivoting mounting bracket. This lightweight reel is ideal for dispensing washer fluids or antifreeze.

### Features and Benefits

- **Safe:** Spring-driven retractable hose
- **Durable:** Lightweight and rugged molded housing
- **Adjustable:** Pivoting mounting bracket for ease of use
- **Versatile:** 52' of 5/16" diameter polyurethane delivery hose



### Mounting

Floor, Wall, Ceiling

### Markets / Applications

Manufacturing Plants, Vehicle Service Facilities, Rental Car Services, Car Washes, Assembly Lines, Marine Maintenance, Quick Lubes, Air Powered Tools

Product #	Inside Diameter	Length	Thread Size Inlet / Outlet	Reel Port Inlet Swivel/Outlet	Max. Pressure	Temp. Range
8051-1	5/16"	52'	1/4" NPT(f) / 1/4" NPT(m)	3/8" NPT(f) / 1/4" NPT(m)	218 psi	23° to 104° F

# Hose Reel Accessories

## Hose Stops



Product #	Hose ID
337437	.318" to .846"
339538	.530" (twin line)
339389	1.060" to 1.30"
339389-1	1.390" to 1.550"
339389-2 (fuel hose)	1.060" to 1.380"
339389-3	.680" (twin line)
339389-4	.810" (twin line)

## Swivels

### High Pressure Swivels – Grease



Thread (m) x (m)	Straight	90°	Z-Type	Pressure Rating
1/4" NPTF x 1/2"-27	B52750	B52751	B52752	10,000 psi (690 bar)
1/8" NPTF x 1/8" NPTF	54730	N/A	54732	10,000 psi (690 bar)
1/4" NPTF x 1/4" NPTF	B321320	N/A	B331107	10,000 psi (690 bar)

### High Pressure Swivels – Oil



Thread (m) x (m)	Straight	Pressure Rating
1/2" NPTF x 1/2" NPTF	332912	7,000 psi (483 bar)

# Hoses

## Fuel Hoses

Product #	Length	Coupling Spec.	Hose ID	Working psi	Burst psi
317868-2	2'	3/4" NPTF(m) x 3/4" NPTF(m)	3/4"	1,250 psi	5,000 psi
317868-30	30'	3/4" NPTF(m) x 3/4" NPTF(m)	3/4"	1,250 psi	5,000 psi
317868-50	50'	3/4" NPTF(m) x 3/4" NPTF(m)	3/4"	1,250 psi	5,000 psi
317868-70	70'	3/4" NPTF(m) x 3/4" NPTF(m)	3/4"	1,250 psi	5,000 psi
317869-50	50'	1" NPTF(m) x 1" NPTF(m)	1"	1,000 psi	4,000 psi

## Welding Hoses

Product #	Length	Coupling Spec.	Hose ID	Working psi
339539-30	30'	9/16"-18(f)	1/4" Twin	200 psi
339539-50	50'	9/16"-18(f)	1/4" Twin	200 psi

## High Pressure Grease Hoses



Product #	Length	Coupling Thread	Hose ID	Working psi*	Burst psi
317853-5	5' (1.5 m)	1/8" NPTF(m) x 3/8" NPTF(m)	1/4" (6 mm)	4,400 psi (303 bar)	11,000 psi
317870-50	50' (15 m)	3/8" NPTF(m) x 1/4" NPTF(f)	3/8" (8 mm)	6,400 psi (441 bar)	16,000 psi
317870-70	70' (21 m)	3/8" NPTF(m) x 1/4" NPTF(f)	3/8" (8 mm)	6,400 psi (441 bar)	16,000 psi
317870-80	80' (24 m)	3/8" NPTF(m) x 1/4" NPTF(f)	3/8" (8 mm)	6,400 psi (441 bar)	16,000 psi
317874-30	30' (9 m)	3/8" NPTF(m) x 1/4" NPTF(f)	1/4" (6 mm)	8,000 psi (552 bar)	20,000 psi
317874-50	50' (15 m)	3/8" NPTF(m) x 1/4" NPTF(f)	1/4" (6 mm)	8,000 psi (552 bar)	20,000 psi
317875-1F	1.5' (0.5 m)	1/2"-27 NS Taper(f) x 1/2"-27 NS Taper(f)	1/4" (6 mm)	8,000 psi (552 bar)	20,000 psi
317875-7	7' (2 m)	1/2"-27 NS Taper(f) x 1/2"-27 NS Taper(f)	1/4" (6 mm)	8,000 psi (552 bar)	20,000 psi
317875-10	10' (3 m)	1/2"-27 NS Taper(f) x 1/2"-27 NS Taper(f)	1/4" (6 mm)	8,000 psi (552 bar)	20,000 psi
317875-14	14' (4 m)	1/2"-27 NS Taper(f) x 1/2"-27 NS Taper(f)	1/4" (6 mm)	8,000 psi (552 bar)	20,000 psi
317875-20	20' (6 m)	1/2"-27 NS Taper(f) x 1/2"-27 NS Taper(f)	1/4" (6 mm)	8,000 psi (552 bar)	20,000 psi
317875-25	25' (8 m)	1/2"-27 NS Taper(f) x 1/2"-27 NS Taper(f)	1/4" (6 mm)	8,000 psi (552 bar)	20,000 psi
317875-30	30' (9 m)	1/2"-27 NS Taper(f) x 1/2"-27 NS Taper(f)	1/4" (6 mm)	8,000 psi (552 bar)	20,000 psi
317875-40	40' (12 m)	1/2"-27 NS Taper(f) x 1/2"-27 NS Taper(f)	1/4" (6 mm)	8,000 psi (552 bar)	20,000 psi
317875-50	50' (15 m)	1/2"-27 NS Taper(f) x 1/2"-27 NS Taper(f)	1/4" (6 mm)	8,000 psi (552 bar)	20,000 psi
317875-70	70' (21 m)	1/2"-27 NS Taper(f) x 1/2"-27 NS Taper(f)	1/4" (6 mm)	8,000 psi (552 bar)	20,000 psi
317876-2	2' (0.6 m)	3/8" NPTF(m) x 3/8" NPTF(m)	1/4" (6 mm)	8,000 psi (552 bar)	20,000 psi
317876-5	5' (1.5 m)	3/8" NPTF(m) x 3/8" NPTF(m)	1/4" (6 mm)	8,000 psi (552 bar)	20,000 psi
317878-10	10' (3 m)	1/2"-27 NS Taper(f) x 1/2"-27 NS Taper(f)	3/8" (8 mm)	6,400 psi (441 bar)	16,000 psi
317878-50	50' (15 m)	1/2"-27 NS Taper(f) x 1/2"-27 NS Taper(f)	3/8" (8 mm)	6,400 psi (441 bar)	16,000 psi
317878-70	70' (21 m)	1/2"-27 NS Taper(f) x 1/2"-27 NS Taper(f)	3/8" (8 mm)	6,400 psi (441 bar)	16,000 psi
317882-2	2' (0.6 m)	3/8" NPTF(m) x 3/8" NPTF(m)	3/8" (8 mm)	6,400 psi (441 bar)	16,000 psi
317882-7	7' (2 m)	3/8" NPTF(m) x 3/8" NPTF(m)	3/8" (8 mm)	6,400 psi (441 bar)	16,000 psi

\* Maximum working pressure with grease only.

## Medium Pressure Oil Hoses



Product #	Length	Coupling Spec.	Hose ID	Working psi	Burst psi
317813-1	1'	1/2" NPTF(m) x 1/2" NPTF(m)	1/2"	2,000 psi	8,000 psi
317813-2	2'	1/2" NPTF(m) x 1/2" NPTF(m)	1/2"	2,000 psi	8,000 psi
317813-5	5'	1/2" NPTF(m) x 1/2" NPTF(m)	1/2"	2,000 psi	8,000 psi
317813-5F	5-1/2'	1/2" NPTF(m) x 1/2" NPTF(m)	1/2"	2,000 psi	8,000 psi
317813-7	7'	1/2" NPTF(m) x 1/2" NPTF(m)	1/2"	2,000 psi	8,000 psi
317813-12	12'	1/2" NPTF(m) x 1/2" NPTF(m)	1/2"	2,000 psi	8,000 psi
317813-15	15'	1/2" NPTF(m) x 1/2" NPTF(m)	1/2"	2,000 psi	8,000 psi
317813-20	20'	1/2" NPTF(m) x 1/2" NPTF(m)	1/2"	2,000 psi	8,000 psi
317813-25	25'	1/2" NPTF(m) x 1/2" NPTF(m)	1/2"	2,000 psi	8,000 psi
317813-30	30'	1/2" NPTF(m) x 1/2" NPTF(m)	1/2"	2,000 psi	8,000 psi
317813-40	40'	1/2" NPTF(m) x 1/2" NPTF(m)	1/2"	2,000 psi	8,000 psi
317813-50	50'	1/2" NPTF(m) x 1/2" NPTF(m)	1/2"	2,000 psi	8,000 psi
317813-70	70'	1/2" NPTF(m) x 1/2" NPTF(m)	1/2"	2,000 psi	8,000 psi
317813-80	80'	1/2" NPTF(m) x 1/2" NPTF(m)	1/2"	2,000 psi	8,000 psi
317813-100	100'	1/2" NPTF(m) x 1/2" NPTF(m)	1/2"	2,000 psi	8,000 psi
317828-3	3'	3/8" NPTF(m) x 1/2" NPTF(m)	1/2"	2,000 psi	8,000 psi
317828-5	5'	3/8" NPTF(m) x 1/2" NPTF(m)	1/2"	2,000 psi	8,000 psi
317856-5F	5-1/2'	1/2" NPTF(m) x 1/2" NPTF(f)	1/2"	2,000 psi	8,000 psi
317856-15	15'	1/2" NPTF(m) x 1/2" NPTF(f)	1/2"	2,000 psi	8,000 psi
317856-20	20'	1/2" NPTF(m) x 1/2" NPTF(f)	1/2"	2,000 psi	8,000 psi
317856-25	25'	1/2" NPTF(m) x 1/2" NPTF(f)	1/2"	2,000 psi	8,000 psi
317856-30	30'	1/2" NPTF(m) x 1/2" NPTF(f)	1/2"	2,000 psi	8,000 psi
317856-40	40'	1/2" NPTF(m) x 1/2" NPTF(f)	1/2"	2,000 psi	8,000 psi
317856-50	50'	1/2" NPTF(m) x 1/2" NPTF(f)	1/2"	2,000 psi	8,000 psi
317856-70	70'	1/2" NPTF(m) x 1/2" NPTF(f)	1/2"	2,000 psi	8,000 psi
317856-100	100'	1/2" NPTF(m) x 1/2" NPTF(f)	1/2"	2,000 psi	8,000 psi
339684-15*	15'	1/2" NPTF(m) x 1/2" NPTF(m)	1/2"	2,000 psi	8,000 psi
339684-18*	18'	1/2" NPTF(m) x 1/2" NPTF(m)	1/2"	2,000 psi	8,000 psi

\* Swivel male



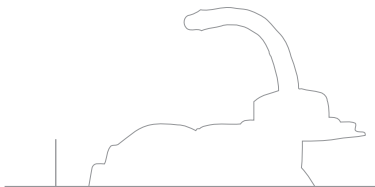
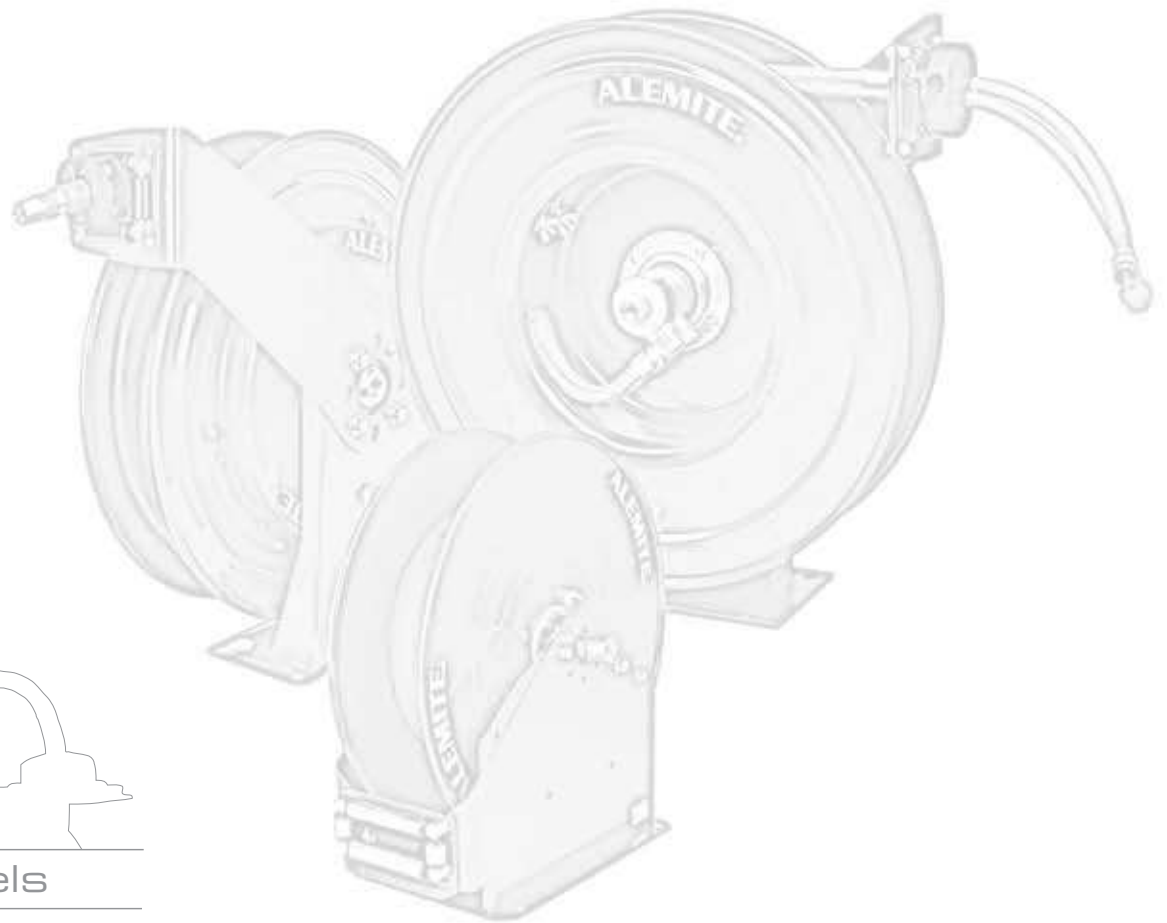
## Low Pressure Air/Water Hoses



Product #	Length	Coupling Spec.	Hose ID	Working psi	Burst psi
317803-3	3'	1/4" NPTF(m) x 1/4" NPTF(m)	3/8"	200 psi	800 psi
317803-7	7'	1/4" NPTF(m) x 1/4" NPTF(m)	3/8"	200 psi	800 psi
317803-15	15'	1/4" NPTF(m) x 1/4" NPTF(m)	3/8"	200 psi	800 psi
317803-20	20'	1/4" NPTF(m) x 1/4" NPTF(m)	3/8"	200 psi	800 psi
317803-25	25'	1/4" NPTF(m) x 1/4" NPTF(m)	3/8"	200 psi	800 psi
317803-30	30'	1/4" NPTF(m) x 1/4" NPTF(m)	3/8"	200 psi	800 psi
317803-40	40'	1/4" NPTF(m) x 1/4" NPTF(m)	3/8"	200 psi	800 psi
317803-50	50'	1/4" NPTF(m) x 1/4" NPTF(m)	3/8"	200 psi	800 psi
317807-5F	5-1/2'	3/8" NPTF(m) x 1/4" NPTF(f)	1/2"	200 psi	800 psi
317809-5F	5-1/2'	1/2" NPTF(m) x 1/4" NPTF(f)	1/2"	200 psi	800 psi
317811-2	2'	1/2" NPTF(m) x 1/2" NPTF(m)	1/2"	200 psi	800 psi
317811-5	5'	1/2" NPTF(m) x 1/2" NPTF(m)	1/2"	200 psi	800 psi
317811-7	7'	1/2" NPTF(m) x 1/2" NPTF(m)	1/2"	200 psi	800 psi
317811-15	15'	1/2" NPTF(m) x 1/2" NPTF(m)	1/2"	200 psi	800 psi
317811-30	30'	1/2" NPTF(m) x 1/2" NPTF(m)	1/2"	200 psi	800 psi
317811-50	50'	1/2" NPTF(m) x 1/2" NPTF(m)	1/2"	200 psi	800 psi
317811-80	80'	1/2" NPTF(m) x 1/2" NPTF(m)	1/2"	200 psi	800 psi
317811-100	100'	1/2" NPTF(m) x 1/2" NPTF(m)	1/2"	200 psi	800 psi

## Twin Hoses

Product #	Length	Coupling Spec.	Hose ID	Working psi
340326-30	30'	3/8" NPT(f)	3/8" Twin	9,000 psi
340326-80	80'	3/8" NPT(f)	3/8" Twin	9,000 psi
340328-80	80'	1/2" NPT(m)	1/2"	2,000 psi



---

## Hose Reels

---



**ALEMITE®**

167 Rowland Drive  
Johnson City, TN 37601  
Toll Free U.S.: 866-4-Alemite  
Toll Free Canada: 800-267-8022  
International: 803-802-0001  
Fax U.S.: 800-648-3917  
Fax Canada: 800-267-2880  
Fax International: 803-802-0192  
[www.alemite.com](http://www.alemite.com)

LIT101 1/07 REV

# BULK LUBRICATION SYSTEMS



**PRODUCT CATALOG**

C-2100-E/14





## Introduction

# Bulk Lubrication Systems & Design

### *Commitment*

Alemite has been committed to the lubrication industry for over 90 years, from the introduction of the first high-pressure lubrication system in 1918, through today's complete storage and delivery systems. Alemite leads with the latest technology to provide the most reliable and efficient lubrication capabilities for protection of your investment. Alemite has always been committed to innovation in technology and was the first to offer completely sealed and warranted air motor pumps in 1949. Today's RAM air motor leads the way in quiet, dependable operation. With a commitment to service, Alemite has in place over 200 authorized service centres across North America, and many more throughout the world.

Alemite is committed to bring the best technology that meets the toughest demands of lubricant storage, delivery, control and dispensing.



### *Discover the Alemite Advantage*

The Alemite Bulk Lubrication System catalogue illustrates some of the many systems Alemite has to offer. Designed to make system, accessory and parts selection easier and more direct, a detailed table of contents lists the products and systems included in each section.

Many of the Alemite products in the catalogue have several major components – from hose reels to pumping systems. Where several components make up the equipment package, you will find a chart outlining items which are included in the model.

Alemite is the supplier of choice for leading companies in automotive and truck service, manufacturing, mining, processing, assembly and warehousing. Backed by a commitment to quality, service and technical leadership, Alemite systems deliver lubricants and fluids cleanly, reliably and efficiently – from barrel to bearing.

**ALEMITE**  
TM  
**DETAILS MAKE THE DIFFERENCE**

# Table of Contents



## Bulk Lubrication Systems

<b>Bulk Equipment Systems</b>	<b>4-3</b>	<b>Pump Accessories</b>	<b>15</b>
1000 Series Bench Top Tank	4	Round Dolly for 120lb. Drums	15
1040 Series Bench Top Tank	4	Band Dolly for 400 lb. Drums	15
1050 Series Bench Top Tank	5	Band Dolly	15
1020 Series Bench Top Tank	5	Two-Wheel Dolly (for 35lb. & 120 lb. Containers)	15
1300 Series Rectangular Tank	6	Pump Tube Strainers	15
1500 Series Bench Tank	6	Lubricants Strainers	15
		Low Level Cut-off	15
		Air Motor Muffler	15
<b>Bare Tanks</b>	<b>7-8</b>	<b>Diesel Exhaust Fluid Packages</b>	<b>16</b>
Bench Tanks	7		
Rectangular Tanks	8		
<b>Other Bulk Systems</b>	<b>9-11</b>	<b>Waste Oil Management</b>	<b>17-19</b>
Equip. Packages - 1100 Series & 1130 Series	9	Waste Oil Tanks	17
Dispensing Valve Package (338635)	9	Tank Over Fill Valve	18
Oil Bar (343090)	9	Portable Oil Drain	18
Rec Tank & Oil Bar Package (338624)	9	Rolling Used Oil drains	18
Bulk Tote or Lube Cube Oil Packages	10	Pressurized Drain	18
Bulk Tote or Lube Cube Grease Pumps	11	Portable Truck Drain	18
		Portable Oil Extractor	18
		Oil Filter Drain	18
		Lube Cart	18
		Wall Brackets	19
		Used Oil Pumps	19
		Waste Oil Accessories	19
		Siphon Kit (SWA306)	19
		Waste Evacuation Kit	19
<b>Medium Pressure Grease Pumps</b>	<b>11</b>	<b>Portable Lubricators</b>	<b>20</b>
Standard Duty Pump 8568-A	11	Portable High Pressure Lubricators	20
RAM Series Pumps - 9900 Series	11	Portable Medium Pressure Lubricators	20
Heavy Duty Pumps - 7700 Series	11	Hand Operated Medium Pressure Pumps	20
<b>High Pressure Grease Pumps</b>	<b>12</b>	<b>Guide For Pump Selection</b>	<b>21</b>
Standard Duty Pumps - 8500 Series	12	High Pressure Grease	21
RAM Pumps - 9900 Series	12	Fluid Oil Drum & Tank Dispensing Systems	21
Heavy Duty Pumps - 7700 Series	12		
<b>Reel Packages</b>	<b>13</b>	<b>Typical Installation Layout</b>	<b>22</b>
Shielded Reels	13	Quick Lube Layout	22
Heavy-Duty Open Reels	13	Lube Maintenance Shop Layout	22
High Capacity Double Post Reels	13		
Severe Duty Reels	13		
Diesel Exhaust Fluid Reels	13		
<b>Control Valves and Meter Controls</b>	<b>14</b>	<b>Fluid Management Systems</b>	<b>23</b>
High Pressure Controls	14	AFCS	23
Medium Pressure Controls	14		
High Volume Control Valves	14		
Volume Delivery Control Valves	14		
Meter Control Valves 3600 Series	14		





# Bulk Equipment Systems



## 1000 Series Bench Top Tank

- Ideal for motor oils and hydraulic oils in busy garages and shops.
- Package includes a 1140 Litre bench-top tank with sight gauge, 5:1 ratio RAM pump, heavy-duty reel with 30ft or 50ft of delivery hose, meter control valve or pre-set meter with non-drip nozzle.
- Package is complete with all necessary connector hardware.
- The UL-Listed tank measures: 74" long x 38" deep x 42" high (without equipment)
- All packages include filter/regulator

**1000 Series Bench Tank Order Chart**

Package #	Tank	5:1 Pump	Reel	Hose Length	Meter	Capacity
1000	946841	9968	8078-C	30 Feet	3685-D1	1140L
1010	946841	9968	8078-D	50 Feet	3685-D1	1140L
1001	946841	9968	8078-C	30 Feet	3693-C	1140L
1011	946841	9968	8078-D	50 Feet	3693-C	1140L
1000-E	946841	9968	8078-C	30 Feet	3671	1140L
1010-E	946841	9968	8078-D	50 Feet	3671	1140L
1011-E	946841	9968	8078-D	50 Feet	3644-C2	1140L
1001-E	946841	9968	8078-C	30 Feet	3644-C2	1140L

Package is complete with all the above items.



## 1040 Series Bench Top Tank

- Ideal for motor oils and hydraulic oils in medium volume users and shops.
- Package includes a 800 Litre bench-top tank with sight gauge, 5:1 ratio RAM pump, heavy-duty reel with 30ft or 50ft of delivery hose, meter control valve or Pre-set meter with non-drip nozzle.
- Package is complete with all necessary connector hardware.
- Tank allows for the reel to be mounted on either side of the tank.
- The UL-Listed tank measures: 85" long x 27" deep x 42" high (without equipment)
- All packages include filter/regulator

**1040 Series Bench Tank Order Chart**

Package #	Tank	5:1 Pump	Reel	Hose Length	Meter	Capacity
1040	960265	9968	8078-C	30 Feet	3685-D1	800L
1040-50	960265	9968	8078-D	50 Feet	3585-D1	800L
1041	960265	9968	8078-C	30 Feet	3693-C	800L
1041-50	960265	9968	8078-D	50 Feet	3693-C	800L
1040-E	960265	9968	8078-C	30 Feet	3671	800L
1040-50E	960265	9968	8078-D	50 Feet	3671	800L
1041-E	960265	9968	8078-C	30 Feet	3644-C2	800L
1041-50E	960265	9968	8078-D	50 Feet	3644-C2	800L

Package is complete with all the above items.



## 1050 Series Bench Top Tank

- Ideal for motor oils and hydraulic oil in smaller volume shops and garages.
- Package includes a 540 Litre bench top tank with sight gauge, 5:1 ratio pump, heavy-duty reel with 30ft or 50ft delivery hose, meter control valve or LCD meter with non-drip nozzle.
- Package is complete with all necessary connector hardware.
- The UL-Listed tank measures: 50" long x 27" deep x 42" high (without equipment)
- All packages include filter/regulator

1050 Series Bench Tank Order Chart						
Package #	Tank	5:1 Pump	Reel	Hose Length	Meter	Capacity
1050	960303	9968	8078-C	30 Feet	3685-D1	540L
1050-50	960303	9968	8078-D	50 Feet	3685-D1	540L
1051	960303	9968	8078-C	30 Feet	3693-C	540L
1051-50	960303	9968	8078-D	50 Feet	3693-C	540L
1050-E	960303	9968	8078-C	30 Feet	3671	540L
1050-50E	960303	9968	8078-D	50 Feet	3671	540L
1051-E	960303	9968	8078-C	30 Feet	3644-C2	540L
1051-50E	960303	9968	8078-D	50 Feet	3644-C2	540L

Package is complete with all the above items.



## 1020 Series Bench Top Tank

- Ideal for motor oils and hydraulic oils in busy garages and shops. Allows for two different types of lubricants to be dispensed from one tank.
- Package includes a UL-Listed two product bench-top tank with sight gauge, and 2 each of 5:1 ratio RAM pump, heavy-duty reel with 30ft or 50ft of delivery hose, meter control valve or Pre-set meter with nondrip nozzle.
- Package is complete with all necessary connector hardware.
- Tank allows for two sets of equipment to be mounted on the tank. Each section has a 570 litre capacity.
- The UL-Listed tank measures: 85" long x 38" deep x 42" high
- All packages include filter/regulator

1020 Series Bench Tank Order Chart						
Package #	Tank	5:1 Pump	Reel	Hose Length	Meter	Capacity*
1020	960263	2 of 9968	2 of 8078-C	30 Feet	2 of 3685-D1	570L
1020-50	960263	2 of 9968	2 of 8078-D	50 Feet	2 of 3685-D1	570L
1021	960263	2 of 9968	2 of 8078-C	30 Feet	2 of 3693-C	570L
1021-50	960263	2 of 9968	2 of 8078-D	50 Feet	2 of 3693-C	570L
1020-E	960263	2 of 9968	2 of 8078-C	30 Feet	2 of 3671	570L
1020-50E	960263	2 of 9968	2 of 8078-D	50 Feet	2 of 3671	570L
1021-E	960263	2 of 9968	2 of 8078-C	30 Feet	2 of 3644-C2	570L
1021-50E	960263	2 of 9968	2 of 8078-D	50 Feet	2 of 3644-C2	570L

\*Each sections capacity.

Package is complete with all the above items.





# Bulk Equipment Systems

## 1300 Series Rectangular Tank

- Ideal for motor oils and hydraulic oils in shops where space is a concern.
- These space saving packages include a UL-Listed rectangular tank with sight gauge, 5:1 ratio RAM pump, heavy-duty reel with 30ft or 50ft of delivery hose, meter control valve or Pre-set meter with non-drip nozzle.
- Package is complete with all necessary connector hardware.
- All packages include filter/regulator



**1030 Series Rectangular Tank Order Chart**

Package #	Tank	5:1 Pump	Reel	Hose Length	Meter	Capacity
1300	REC250	9968	8078-C	30 Feet	3685-D1	1130L
1300-50	REC250	9968	8078-D	50 Feet	3685-D1	1130L
1301	REC250	9968	8078-C	30 Feet	3693-C	1130L
1301-50	REC250	9968	8078-D	50 Feet	3693-C	1130L
1300-E	REC250	9968	8078-C	30 Feet	3671	1130L
1300-50E	REC250	9968	8078-D	50 Feet	3671	1130L
1301-E	REC250	9968	8078-C	30 Feet	3644-C2	1130L
1301-50E	REC250	9968	8078-D	50 Feet	3644-C2	1130L
1320	REC100	9968	8078-C	30 Feet	3685-D1	450L
1320-50	REC100	9968	8078-D	50 Feet	3685-D1	450L
1321	REC100	9968	8078-C	30 Feet	3693-C	450L
1321-50	REC100	9968	8078-D	50 Feet	3693-C	450L
1320-E	REC100	9968	8078-C	30 Feet	3671	450L
1320-50E	REC100	9968	8078-D	50 Feet	3671	450L
1321-E	REC100	9968	8078-C	30 Feet	3644-C2	450L
1351-50E	REC100	9968	8078-D	50 Feet	3644-C2	450L
1330	REC150	9968	8078-C	30 Feet	3685-D1	675L
1330-50	REC150	9968	8078-D	50 Feet	3685-D1	675L
1331	REC150	9968	8078-C	30 Feet	3693-C	675L
1331-50	REC150	9968	8078-D	50 Feet	3693-C	675L
1330-E	REC150	9968	8078-C	30 Feet	3671	675L
1330-50E	REC150	9968	8078-D	50 Feet	3671	675L
1331-E	REC150	9968	8078-C	30 Feet	3644-C2	675L
1331-50E	REC150	9968	8078-D	50 Feet	3644-C2	675L

Package is complete with all the above items.

## 1500 Series Bench Tank

- Ideal for motor oils and hydraulic oils in busy garages and shops.
- **#1500** Packages include: 1500 litre bench-top tank with sight gauge, 5:1 ratio RAM pump, heavy-duty reel with 30ft or 50ft of delivery hose, meter control valve or pre-set meter with non-drip nozzle.
- **#1501** Packages include: two-product bench-top tank with sight gauge, and 2 each of; 5:1 ratio RAM pump, heavy-duty reel with 30ft or 50ft of delivery hose, meter control valve or pre-set meter with non-drip nozzle.
- Packages include all necessary connector hardware.
- All packages include filter/regulator



**1050 Series Bench Tank Order Chart**

Package #	Tank	5:1 Pump	Reel	Hose Length	Meter	Capacity
1500-30E	960338	9968	8078-C	30 Feet	3671	1500L
1500-50E	960338	9968	8078-D	50 Feet	3671	1500L
1500-30EP	960338	9968	8078-C	30 Feet	3644-C2	1500L
1500-50EP	960338	9968	8078-D	50 Feet	3644-C2	1500L
1501-30E	960338-A	9968 (x2)	8078-C (x2)	30 Feet	3671 (x2)	750L*
1501-30EP	960338-A	9968 (x2)	8078-C (x2)	30 Feet	3644-C2 (x2)	750L*
1501-50E	960338-A	9968 (x2)	8078-D (x2)	50 Feet	3671 (x2)	750L*
1501-50EP	960338-A	9968 (x2)	8078-D (x2)	50 Feet	3644-C2 (x2)	750L*

Package is complete with all the above items.

\*Each sections capacity



## Bare Bench Tanks

Alemite offers a wide range of tanks to meet your special application needs. All tanks are UL approved and include sight gauge and lockable filler caps.

*\*Bare bench tanks do not come with equipment*



Bare Tank Chart			
Tank Part #	Description	Total Capacity	Dimensions
946841	Bench Top	1140L	74"L x 38"D x 42"H
960263	Two Product Tank	570L per section	85"L x 38"D x 42"H
960264	Three Product Tank	300L per section	85"L x 37"D x 41"H
960265	Bench Top	800L	85"L x 27"D x 42"H
960292	Bench Top - 2 Wings	1111L	85"L x 38"D x 41"H
960300	Skid Tank	2270L	72"L x 50"D x 54"H
960303	Mini Bench Top	540L	50"L x 27"D x 42"H
960303-2	2 shelves w/ reinforced legs	470L per section	60"L x 27"D x 42"H
960305	Lube Cube Style	475L	42"L x 24"D x 39"H
960338	Bench Top	1500L	73"L x 42"D x 48"H
960338-A	Two Product Tank	750L per section	85"L x 42"D x 48"H

Tanks available with containment basins:			
Tank Part #	Description	Total Capacity	Dimensions
946841-CB	Bench Top	1140L	74"L x 40"D x 43"H
960263-CB	Two Product Tank	570L per section	85"L x 40"D x 43"H
960338-CB	Bench Top	1500L	74"L x 43"D x 49"H
960338-A-CB	Two Product Tank	750L per section	85"L x 43"D x 49"H

Drum Bench Covers:			
Tank Part #	Description	Total Capacity	Dimensions
960270	2 drum bench top cover	-	68"L x 25"D x 34"H
960271	3 drum bench top cover	-	94"L x 25"D x 34"H

- NOTE:** All tanks are UL approved  
**NOTE:** Dimensions are subject to change without notice  
**NOTE:** Dimensions do not include equipment

**Sight Gauges**  
 (available seperately):

**Part #960221-32**  
 32" Sight Gauge

**Part #960221-44**  
 44" Sight Gauge



# Bulk Tanks

## Bare Rectangular Tanks

Alemite offers a wide range of tanks to meet your special application needs. All tanks are UL approved and include sight gauge and lockable filler caps.



**Bare Tank Chart**

Tank Part #	Description	Total Capacity	Dimensions
REC100	Horizontal Tank	450L	26" L x 24" D x 56" H
REC100X2	Horizontal Tank - 2 product	450L	26" L x 24" D x 56" H
REC150	Horizontal Tank	675L	38" L x 24" D x 56" H
REC150X2	Horizontal Tank - 2 product	675L	38" L x 24" D x 56" H
REC200	Horizontal Tank	900L	50" L x 24" D x 56" H
REC200X2	Horizontal Tank - 2 product	900L	50" L x 24" D x 56" H
REC250	Horizontal Tank	1130L	62" L x 24" D x 56" H
REC250X2	Horizontal Tank - 2 product	1130L	62" L x 24" D x 56" H
REC300	Horizontal Tank	1350L	74" L x 24" D x 56" H
REC300X2	Horizontal Tank - 2 product	1350L	74" L x 24" D x 56" H
REC250-U	Upright Tank	1130L	48" L x 24" D x 68" H
REC250X2-U	Upright Tank - 2 product	1130L	48" L x 24" D x 68" H
REC300-U	Upright Tank	1350L	48" L x 24" D x 80" H
REC300X2-U	Upright Tank - 2 product	1350L	48" L x 24" D x 80" H

### Sight Gauges

(available separately):

#### Part #960221-32

32" Sight Gauge

#### Part #960221-44

44" Sight Gauge

### Filter Regulator

(available separately):

#### Part #97625-B

Filter Regulator combo

**Tanks available with containment basins:**

Tank Part #	Description	Total Capacity	Dimensions
REC100-CB	Horizontal Tank	450L	34" L x 30" D x 60" H
REC150-CB	Horizontal Tank	675L	46" L x 30" D x 60" H
REC200-CB	Horizontal Tank	900L	58" L x 30" D x 60" H
REC250-CB	Horizontal Tank	1130L	70" L x 30" D x 60" H
REC250X2-CB	Horizontal Tank - 2 product	1130L	70" L x 30" D x 60" H
REC300-CB	Horizontal Tank	1350L	82" L x 30" D x 60" H
REC300X2-CB	Horizontal Tank - 2 product	1350L	82" L x 30" D x 60" H
REC250-CB-U	Upright Tank	1130L	58" L x 30" D x 72" H
REC250X2-CB-U	Upright Tank - 2 product	1130L	58" L x 30" D x 72" H
REC300-CB-U	Upright Tank	1350L	68" L x 30" D x 84" H
REC300X2-CB-U	Upright Tank - 2 product	1350L	68" L x 30" D x 84" H

**NOTE:** All tanks are UL approved  
**NOTE:** Dimensions are subject to change without notice  
**NOTE:** Dimensions do not include equipment



# Other Bulk Systems



## Equipment Packages 1100 & 1130 Series

These packages are designed for pre-existing rectangular bulk tanks (1100 series) or Alemite bench tanks (1130 series) and come complete with 5:1 ratio RAM pump, heavy duty reel package complete with 30 ft or 50 ft delivery hose and a metered control valve or pre-set meter with non-drip nozzle. All packages include filter/regulator and gauge.

Rectangular Tank Equipment Packages					
Package #	5:1 Pump	Reel	Hose Length	Meter	Downtube
1100	9968	8078-C	30 Feet	3685-D1	954930-41V
1100-50	9968	8078-D	50 Feet	3685-D1	954930-41V
1101	9968	8078-C	30 Feet	3693-C	954930-41V
1101-50	9968	8078-D	50 Feet	3693-C	954930-41V
1100-E	9968	8078-C	30 Feet	3671	954930-41V
1100-50E	9968	8078-D	50 Feet	3671	954930-41V
1101-E	9968	8078-C	30 Feet	3644-C2	954930-41V
1101-50E	9968	8078-D	50 Feet	3644-C2	954930-41V
338642-9	9968	-	-	-	954930-41V

Bench Tank Equipment Packages					
Package #	5:1 Pump	Reel	Hose Length	Meter	Downtube
1130	9968	8078-C	30 Feet	3685-D1	954930-29V
1130-50	9968	8078-D	50 Feet	3685-D1	954930-29V
1131	9968	8078-C	30 Feet	3693-C	954930-29V
1131-50	9968	8078-D	50 Feet	3693-C	954930-29V
1130-E	9968	8078-C	30 Feet	3671	954930-29V
1130-50E	9968	8078-D	50 Feet	3671	954930-29V
1131-E	9968	8078-C	30 Feet	3644-C2	954930-29V
1131-50E	9968	8078-D	50 Feet	3644-C2	954930-29V
338642-12	9968	-	-	-	954930-29V

**Note:** For non Alemite tanks specify length of downtube required. 1130 series will also fit a 55 gallon drum (\*338642 includes material hose, airline hose, filter regulator and gauge).



Equipment Package



Part #338635

## Dispensing Valve Package (#338635)

Package includes 1:1 ratio pump( 9916-A) with regulator (7624-A) & a pump mounted valve (7480-1). This is the perfect system where reels and metered dispensing are not required. Package is complete with all necessary connecting hardware. Fits 55 gallon drums or Alemite bench tanks.



Part #343091/343092/343259

## Oil Bars

New oil bar line includes a compact, modular oil bar accommodating up to three spigots. Locking and non-locking spigots are available. A brass flow control valve is offered to control pressure and flow at the spigot, and an optional inline digital meter measures fluid.

**Part #343090:**

**Oil Bar**

**Part #343091:**

**Spigot with Locking Lever**

Inlet: 1/2" NPT(f), 3/4" NPT(m)

• Hydraulic and Other Medium-Viscosity Oils up to SAE 90

**Part #343092:**

**Spigot with Non-Locking Lever**

Inlet: 1/2" NPT(f), 3/4" NPT(m)

• Hydraulic and Other Medium-Viscosity Oils up to SAE 90

**Part #343259:**

**Spigot with Non-Locking Lever**

Inlet: 1/2" NPT(f), 3/4" NPT(m)

• Compatible with Washer Fluid and Antifreeze



Part #343090

## Rec Tank and Oil Bar Package (#338624)

Oil bar type system ideal for shops where reels are not practical.

• Includes: 1135 litre UL-Listed tank with gauge, 5:1 ratio RAM pump (9968), and oil dispensing bar (343090 and all hardware and extension hoses. (Piping to oil bar is not included.)

• Oil Bar (343090) is designed with baked enamel finish and includes a drip sink.

A single tap has a non-drip nozzle (All packages include 7504 filter/regulator).

**Note: #338624-A is the same as above - without tank and gauge.**





## Other Bulk Systems

### Bulk Tote or Lube Cube Oil Packages\*



Part #1450



Part #1448



Part #1450-IBC



Part #8323-IBC

#### Standard Duty Package (#1450)

Package is designed for piped installations of short to moderate length from a tote or lube cube. Easily handles SAE 10, 20 and 30 oil to one or two dispensing outlets. Package includes: 5:1 ratio RAM pump (9968), wall mounted bracket kit (325749) with adaptor (327033), air line regulator and gauge (97625-B), hose coupling package and adapters (946840), air hose (317803-3) and material hose (317828-3).

#### Standard Duty Package (#1448)

Package is designed for piped installations of short to moderate length from a bulk tank, tote or lube cube with outlet on top of tank. The pump is wall mounted and siphon hose kit is placed in tank and connected to pump. Easily handles SAE 10, 20 and 30 oil to one or two dispensing outlets. Package includes: 5:1 ratio RAM pump (9968), siphon hose kit (SWA306), wall mounted bracket kit (325749), regulator and filter with gauge (97625-B), air line hose (317803-3), and material hose (317828-3).

#### Heavy Duty Package (#1451)

Package is designed for piped installations of long delivery runs or to multiple reel outlets from a tote or lube cube. The 7783-C4 pump is built for reliability in continuous operation. Package includes: Heavy duty 6:1 ratio 4-1/4" pump (7783-C4), wall mounted bracket kit (328190-B4), filter/regulator (7617), coupling package (946840) and adapters, air hose (317811-5) and material hose (317856-5F). Air motor muffler included.

#### Heavy Duty Package (#1449)

Package is designed for piped installations of long delivery runs or to multiple reel outlets from a bulk tank, tote or lube cube with outlet on top of tank. The pump is wall mounted and siphon hose kit is placed in tank and connected to pump. The 7783-C pump is built for reliability in continuous duty operation. Package includes: Heavy duty 6:1 ratio 4 1/4" pump (7783-C4), wall mounted bracket kit (328190-B4), filter/regulator (7617), siphon hose kit (SWA306), air hose (317811-5) and material hose (317856-5F). Air motor muffler included.

#### #1450-IBC Package

Complete with mounting brackets for reel and pump to attach to wire steel frame. Package includes: connector hoses, filter, regulator and gauge.

**Reel and meter must be purchased separately.**

*Suitable for stationary dispensing or tote may be picked up with fork lift for portability.*

#### Wall Mount Pump Package (#1450WM-50)

For Oil Tote or Cube. Includes 5:1 Ratio Pump, wall mount bracket, air filter regulator gauge, connector hoses (air and material), cam lock connector package, HD reel with 50ft hose, pre-set electronic meter (or sub for another meter - contact sales rep for more information).

**\*1450WM-30 same as above with 30ft hose.**

#### 8323-IBC

Convenient, and Economical, for transferring Petroleum Based Products from totes to drums and tanks. Unit is non metered.

Package includes: diaphragm pump (8323), 3/8" filter/regulator (7506), air pressure gauge (339948), 20ft supply hose (340367-20), reel bracket (961011-1) and tote connection kit (960417).

# Medium Pressure Oil Dispensing Pumps



## Bulk Tote or Lube Cube Grease & Oil Pumps

These efficient, reliable bulk grease pumps are designed with dynamic primers for continuous positive priming, eliminating air pockets and delivering product smoothly even over long distances. These pumps can be mounted horizontally, in the top or side of a bulk container. These pumps include the male portion of a 3-inch camlock connection for ease in installation.

Lube Cube Grease Pumps					
Pump #	Air Motor	Ratio	Air Inlet	Max. Delivery Outlet	Material
7730	4-1/4"	75:1	3/4" NPTF (f)	12.5 lbs	1/2" NPTF (f)
7735	4-1/4"	10:1	3/4" NPTF (f)	73 lbs	3/4" NPTF (f)
7736	6"	11:1	3/4" NPTF (f)	86 lbs	1-1/4" NPTF (f)
9930	RAM - 3"	50:1	1/4" NPTF (f)	4.5 lbs	3/8" NPTF (f)

## Standard Duty Pump (#8568-A4)

Recommended for piped installations of short to moderate length. This pump easily handles fluids SAE 10, 20, and 30 oil. Pump includes a 2" bung adapter for drum or tank mounting (appropriate down tube must be added for drum or tank mounting). Pump will also mount directly to 1-1/2" suction pipe to remote tank. Air inlet 1/4" female pipe thread. Material inlet is 1-1/2" female pipe thread. Material outlet 3/8" female pipe thread.



Part #8568-A4

## RAM Pumps - 9900 Series

These pumps feature the exclusive Alemite RAM air motor for quiet operation and quick serviceability. Recommended for piped installations of short to moderate length. These pumps easily handle all fluids up to SAE 140. Stub pump includes a 2" bung adapter for drum or tank mounting (appropriate down tube must be added for drum or tank mounting). Stub pump will also mount directly to 1-1/2" suction pipe (1" for 9970) to remote tank. Air inlet 1/4" female pipe thread. Material outlet 1/2" female pipe thread. (9970 is 3/8" female pipe thread).



Part #7730

## Heavy Duty Pumps - 7700 Series

These pumps are built for continuous duty operation. They are recommended for fluid delivery through long delivery lines or multiple reel installations. Equipped with hoist eyebolt. All 7783 models have 4-1/4" air motors; the 7793 models have a 6" air motor. Air inlet and material outlet are 1/2" female pipe thread. Air outlet is 3/4" female pipe thread.



Part #9968

Pump Selection Chart									
Model #	Drum size	Pump Ratio	Approx. Delivery per Min	Air Hose	Material Hose	Bung Adapter	Cover #	Union #	Ship Weight
8568-A4	Stub*	4:1	3 Gal.	317803-3	317813-5F	<b>326750</b>	-	17737	14 lbs
9916-A1	Stub*	1:1	16.5 Gal.	317803-3	317813-5F	Integral	-	1000-88	17 lbs
9918-A	Stub*	3:1	9 Gal.	317803-3	317813-5F	Integral	-	1000-88	17 lbs
9960	16 Gal.	5:1	7 Gal.	317803-3	317813-5F	<b>326750-B</b>	338145	1000-88	28 lbs
9960-A	16 Gal.	5:1	7 Gal.	317803-3	317813-5F	-	<b>338145</b>	1000-88	17 lbs
9968	Stub*	5:1	7 Gal.	317803-3	317813-5F	<b>326750-B</b>	-	1000-88	14 lbs
9969-B	55 Gal.	5:1	7 Gal.	317803-3	317813-5F	<b>326750-B</b>	338163	1000-88	18 lbs
9970	Stub*	10:1	3.5 Gal.	317803-3	317813-5F	<b>326750-E</b>	-	1000-88	11 lbs
7783-A4	55 Gal.	6:1	10 Gal.	317811-5	317813-5F	326750-B	323847	1000-88	55 lbs
7783-B4	16 Gal.	6:1	10 Gal.	317811-5	317813-5F	326750-B	323800	1000-88	50 lbs
7783-C4	Stub*	6:1	10 Gal.	317811-5	317813-5F	326750-B	-	1000-88	50 lbs
7793-A1	55 Gal.	12:1	6.5 Gal.	317811-5	317813-5F	326750-B	323847	1000-88	75 lbs
7793-C	Stub*	12:1	6.5 Gal.	317811-5	317813-5F	326750-B	-	1000-88	65 lbs

**NOTE: Bold print indicates item is included with pump model.**

\* Appropriate downtube can be added  
See pump selection information on page 22



# High Pressure Grease Dispensing Pumps

Standard Duty Pump



## Standard Duty Pumps - 8500 Series

Recommended for piped installations of moderate length. Easily handles fibrous multi-purpose and light bodied chassis lubricants. The 8540 series models have a 3" diameter air motor and the 8550 series models have a 2-7/16" diameter air motor. Air inlet 1/4" female pipe thread. Material outlet 3/8" female pipe thread.

## RAM Pumps - 9900 Series

These pumps feature the exclusive Alemite RAM air motor for quiet operation and quick serviceability. Recommended for piped installations of moderate length. Easily handle fibrous multi-purpose and light bodied chassis lubricants. Air motor is 3" diameter. Air inlet 1/4" female pipe thread. Material outlet 3/8" female pipe thread.

RAM Pump



## Heavy Duty Pumps - 7700 Series

These pumps are built for continuous duty operation. They are recommended for fluid delivery through long delivery lines or multiple reel installations. These doubleacting pumps will provide consistent, reliable delivery of hard to pump lubricants up to NGL #3, direct from original drums or bulk containers. All models have a 4-1/4" air motor. Air inlet and material outlet are 1/2" female pipe thread. Air outlet is 3/4" female pipe thread.

Heavy Duty Pump



Pump Selection Chart

Model #	Drum size	Pump Ratio	Approx. Delivery per Min	Air Hose	Material Hose	Follower #	Cover #	Union #	Ship Weight
8540-A1	120 lb	70:1	2.25 lbs	317803-3	317876-5	<b>338802</b>	<b>338371</b>	321155	35 lbs
8549-A1	400 lb	70:1	2.25 lbs	317803-3	317876-5	338802	318040	321155	35 lbs
8550-A1	120 lb	50:1	2.5 lbs	317803-3	317876-5	<b>338802</b>	<b>338371</b>	321155	35 lbs
8559-B	400 lb	50:1	2.5 lbs	317803-3	317876-5	338911	318040	321155	46 lbs
9930*	Bulk	50:1	4.5 lbs	317803-3	317876-5	-	-	321155	16 lbs
9940	120 lb	70:1	3.25 lbs	317803-3	317876-5	338802	338371	321155	30 lbs
9949	400 lb	70:1	3.25 lbs	317803-3	317876-5	338911	338163	321155	27 lbs
9950-A1	120 lb	50:1	3 lbs	317803-3	317876-5	<b>338801</b>	<b>338371</b>	321155	28 lbs
9979	400 lb	50:1	4.5 lbs	317803-3	317876-5	338911	338163	321155	24 lbs
9979-A	400 lb	50:1	4.5 lbs	317803-3	317876-5	<b>338911</b>	<b>338163</b>	321155	49 lbs
7730	Bulk	75:1	12.5 lbs	317811-5	317876-5	-	-	-	64 lbs
7785-A5	400 lb	40:1	22 lbs	317811-5	317882-7	338912	323847	321155	77 lbs
7785-B5	120 lb	40:1	22 lbs	317811-5	317882-7	338804	323800	321155	72 lbs
7786-A5	400 lb	75:1	12 lbs	317811-5	317882-7	338912	323847	321155	75 lbs
7786-C	120 lb	75:1	12 lbs	317811-5	317882-7	338804	338804	321155	75 lbs

**NOTE: Bold print indicates item is included with pump model.**

\* Includes 3" male cam lock adapter for mounting pump to bulk grease container (See Page 6)  
See pump selection information on page 22

# Reel Packages



Alemite's reel packages put fluids and lubricants where you need them. Mounted overhead, on walls, floors or tanks, our reels store hoses conveniently and safely between tasks. Alemite Reels are engineered to perform better, last longer and be safer to maintain and operate. Alemite has a reel package for every application with shielded, open, heavy duty and severe duty reels. These reels deliver grease, gear lubricants, motor oil, ATF, air or water where you need it and accommodate various hose lengths.

Shielded Reels							
Type	Model #	Bare Reel #	Delivery Hose	Connecting Hose	Swivel	Cabinet	Hose Stop
High-Pressure Grease	8079-A	7334-D	317875-30	317882-2	B52752	7331	337437
	8079-B	7334-D	317875-50	317882-2	B52752	7331	337437
Mid-Pressure Oils/ATF	8079-C	7335-D	317813-30	317813-2	-	7331	337437
	8079-D	7335-D	317813-50	317813-2	-	7331	337437
Low-Pressure Air/Water	8079-E	7336-D	317803-30	317803-2	-	7331	337437
	8079-F	7336-D	317803-50	317803-2	-	7331	337437

Order control valves separately.

Note: End panels not included. Order one 339371 end panel set for each reel bank.

Heavy-Duty Open Reels							
Type	Model #	Bare Reel #	Delivery Hose	Connecting Hose	Swivel	Adapter Union	Hose Stop
High-Pressure Grease	8078-A	7334-B	317875-30	317882-2	B52752	1001-86	337437
	8078-B	7334-B	317875-50	317882-2	B52752	1001-86	337437
	8078-T	7334-B	317870-50	317882-2	B52752	1001-86	337437
Mid-Pressure Oils/ATF	8078-C	7335-B	317813-30	317813-2	-	1001-86	337437
	8078-D	7335-B	317813-50	317813-2	-	1001-86	337437
Low-Pressure Air/Water	8078-E	7336-B	317803-30	317803-2	-	1001-86	337437
	8078-F	7336-B	317803-50	317803-2	-	1001-86	337437

Order control valves separately.

High Capacity Double Post Reels									
Type	Model #	Bare Reel #	Description	Delivery Hose	Hose Stop	PSI	Inlet/Outlet	Weight	Application
High-Pressure Grease	8080-A	7340	3/8" HP Ass'y (80ft)	317870-80	337437	6000	3/8" NPTF/ 3/8" NPSM	120 lbs	Grease
	8080-H	7341	1/2" MP Ass'y (100ft)	317813-100	337437	1500	1/2" NPTF/ 1/2" NPSM	145 lbs	Oil
Mid-Pressure Oils/ATF	8080-B	7341	1/2" HP Ass'y (80ft)	317813-80	337437	1500	1/2" NPTF/ 1/2" NPSM	125 lbs	Oil
	8080-E	7342	3/4" HP Ass'y (50ft)	317868-50	339389	1000	1" NPTF/ 1" NPSM	145 lbs	Gasoline, Diesel Fuel, Oil
	8080-F	7342	3/4" MP Ass'y (70ft)	317868-70	339389	1000	1" NPTF/ 1" NPSM	155 lbs	Gasoline, Diesel Fuel, Oil
	8080-G	7342	1" HP Ass'y (50ft)	317869-50	339389-1	1000	1" NPTF/ 1" NPSM	165 lbs	Gasoline, Diesel Fuel, Oil
Low-Pressure Air/Water	8080-C	7341	3/8" HP Ass'y (80ft)	317811-80	337437	200	1/2" NPTF/ 1/2" NPSM	115 lbs	Air/Water
	8080-D	7341	3/8" HP Ass'y (80ft)	317811-100	337437	200	1/2" NPTF/ 1/2" NPSM	125 lbs	Air/Water

Order control valves separately.

Severe Duty Open Reels							
Type	Model #	Bare Reel #	Delivery Hose	Connecting Hose	Swivel	Adapter Union	Hose Stop
High-Pressure Grease	8078-G	7334-C	317875-50	317882-2	B52752	1001-86	337437
Mid-Pressure Oils/ATF	8078-H	7335-C	317813-50	317813-2	-	1001-86	337437
Low-Pressure Air/Water	8078-J	7336-C	317803-50	317803-2	-	1001-86	337437
	8078-M	7336-C	317811-50	317811-2	-	1001-86	337437

Order control valves separately.

Alemite's heavy duty hose reels deliver Diesel Exhaust Fluid (AUS32, Aqueous Urea Solution) in two reel capacities (30-50 ft.). Specifically designed for DEF systems, the reels are engineered to perform better, last longer and are safer to maintain and operate. Reels can be mounted overhead, on a wall, floor or tank.

Diesel Exhaust Fluid Reels					
Model #	Bare Reel #	Description	PSI	Weight	Application
8072-A	7340	1/2 ID x 30' (13 mm x 9 m)	300	47.5 lbs	DEF
8072-B	7341	1/2 ID x 50' (13 mm x 15 m)	300	50.0 lbs	DEF



Part #8079-C



Part #8078-C



Part #8080-C



# Control Valves and Meters



Part #6320-3



Part #6320-A/#6320-B



Part #3644-C2



Part #3693-C



Part #3670

## High Pressure Controls

Delivers pre-set, measured shots with trigger partially depressed. Provides continuous flow with trigger fully depressed. Control valve inlet: 1/4" NPTF(f). Pressure rating: 7,500 psi.

#6320-3: High Pressure Control Valve

#6320-A: High Pressure Control Valve with Hose & Large Coupler

#6320-B: High Pressure Control Valve with Hose & Small Coupler

## Medium Pressure Controls

### High Volume Control Valves (#7836-C1, #7836-E, #7836-F)

Extra large porting provides volume delivery of fluids. Smooth flow through gun. External adjustable packings. Built-in ball bearing inlet swivel 1/2" NPTF(m). Outlet 1/2" NPTF(f).

Part No. 7836-C1: control valve only.

Part No. 7836-F: consists of 7836-C1 and flexible extension (333071) and nozzle.

### Volume Delivery Control Valves (#7492, #7498, #7498-A)

High volume control delivery of gear lube or oil, includes swivel inlet, trigger safety, trigger latch with single button operation and automatic non-drip nozzle.

Part No. 7492: control, rigid extension with automatic non-drip nozzle and manual lock.

Part No. 7498-A: control, flexible extension with automatic non-drip nozzle.

### Meter Control Valves - 3600 Series

Easy to read 3-1/4" diameter dials graduated in litres. Totalizing odometer also registers litres. Lever may be locked in open position for dispensing large volumes. Includes swivel. Meter inlet 1/2" NPTF(F). 3693 Meters are pre-set for automatically filling large crank cases. 3681-D and 3630-A are stationary meters with 1/2" inlet and outlet.

Electronic meters use leakproof magnetic drive, two point precision, have a minimum battery life of 3 years and are field replaceable, 8 gpm maximum flow rate, totalize in litres and features the same high volume handle used on the 7492 for improved performance.

Control Valves And Meters

Part #	Fluid	Extension	Nozzle	Register
3685-D1	Motor Oil	Rigid	Automatic, Non-Drip	10 Litres
3685-A	Motor Oil	Flexible	Automatic, Non-Drip	10 Litres
3686-D	ATF	Flexible	Automatic, Non-Drip	10 Litres
3693-C	Oil/Gear	Rigid	Non-Drip	60 Litres, Preset
3693-AF	Anti-Freeze	Rigid	Non-Drip	60 Litres, Preset
3670	Oil	Rigid	Manual, Non-Drip	Electronic, Litres
3671	Oil	Flexible	Manual, Non-Drip	Electronic, Litres
3673	Gear Oil	Rigid	Automatic, Non-Drip	Electronic, Litres
3674-C	Oil	Rigid	High Volume, Manual	Electronic, Litres
3679	Oil/Gear/ATF	None	None	Electronic, Litres
3644-C2	Oil	Rigid	High Volume, Manual	Electronic, Litres
3640-2	Oil	Rigid	Automatic, Non-Drip	Electronic, Litres
3641-2	Oil	Flexible	Automatic, Non-Drip	Electronic, Litres
3570-B	Oil	Rigid	High Volume, Manual	Electronic, 3/4" Inlet-Outlet
3571-B	Oil	Flexible	High Volume, Manual	Electronic, 3/4" Inlet-Outlet
3579	Oil	-	-	Electronic, 3/4" Stationary In-line





## Accessories for Pumps

### Round Dolly for 120 lb. Drums

**Part # 316315-5**

Four free-swiveling casters provide smooth mobility. Three sturdy brackets with large thumb screws lock 120 lb. drum securely to base. Diameter: 20".

### Band Dolly for 400 lb. Drums

**Part #336899**

Sturdy utility dolly for easy movement of heavy 400 lb. drums. All-steel welded construction with cross braces ensure long service. Four free-swiveling rubber casters. Diameter: 23-1/2". Not adjustable.

### Band Dolly

**Part #336575-A1** for 5 gal. pails or 35 lb. pails. Four free-swiveling casters on adjustable band provide mobility. Drum rests on three sturdy welded platforms. **Part #336575-B1** same as above but fits 16 gal. pails or 120 lb. drums.

### Two-wheel Dolly for 35 and 120 lb. Containers

**Part #338958**

Load sits directly on wheels and axle, not on trucker's arms. Clamps securely to drum or to pump-and-drum assembly.



**Part #316315-5**



**Part #336575-A1**



**Part #326432**



**Part #380372-A1**



**Part #321206**



**Part #324170**

## Pump Tube Strainers

Strainer clamp on bottom of pump tube. Prevent foreign materials from entering suction tube and fouling foot valve

**Part #326432** for extra heavy and heavy duty pumps.

**Part#326463-B1** for standard pumps and 9979 pumps

## Lubricants Strainers

Ensure that machine bearings receive absolutely clean lubricant. Sturdy units installed near supply pump in pipeline. Offer very little restriction to flow. Filter elements readily accessible for cleaning (40 micron for oil).

Lubricant Strainers					
Part #	Description	Inlet NPTF (f)	Outlet NPTF	Filter Element Part #	Porosity
380372-A1	Oil Y-Type	1/2"	1/2"	384847	40 Micron
380372-B1	Grease Y-Type	1/2"	1/2"	328628	138 Micron
339683	Waste Oil	1"	1"	-	-

## Low Level Cut-Off

**Part # 321206**

For use with fluid oil tank dispensing pumps. Float-actuated valve automatically closes inlet tube when oil level becomes low. Valve is installed at inlet end of suction tube. Sleeve has 1 1/2" NPTF (f) thread; screws directly onto suction pipe.

*Note: All siphon pumps should use a low-level cut-off valve with metered oil system*

## Muffler

**Part #324170**

Air Muffler reduces operating noise of pump motor without restricting motor efficiency. Used on all Heavy Duty pumps 4 1/4" and 6" air motor sizes.





# Diesel Exhaust Fluid Packages



Part #343111



Part #343138



Part #343103



Part #343113

## 110-120 V AC centrifugal pump systems for closed drums and totes

- "Smart Start" technology turns pump on/off with DEF flow demand
- CSA, UL listed
- Stainless steel pump body
- Outstanding suction capability/self priming
- Thermal and current overload protection
- 20' delivery hose with stainless steel nozzle
- Suction hose
- 1/2 hp

Part #	Description
343108	Centrifugal Pump Package for 55 gallon drum - Manual Start
343109	Centrifugal Pump Package for 55 gallon drum - Smart Start
343110	Centrifugal Pump Package for 275 - 330 gallon tote - Manual Start
343111	Centrifugal Pump Package for 275 - 330 gallon tote - Smart Start
343138	Centrifugal Pump Package for 55 gallon drum - Smart Start - Drum Cart
8422	Bare Centrifugal Pump - Smart Start

## 12 V DC systems for closed drums and totes

- Ideal for mobile mounting and power by vehicle electric power supply
- 20' delivery hose with stainless steel nozzle
- 1/2 hp

Part #	Description
343101	12 Volt DC Pump Package for 55 gallon drums
343103	12 Volt DC Pump Package for totes
343139	12 Volt DC Pump Package for 55 gallon drums - Drum Cart
8423	Bare 12 Volt DC Pump

## Systems for open / standard 2" bung containers

- Choice of: Powerful 1.1 HP 110-120 V AC electric motor or safe/economical air motor

- Built to meet North American standards
- Electric option features thermal protection
- Polypropylene pump tube with Stainless Steel shaft
- Packages for DEF drums and totes
- 20' delivery hose and stainless steel nozzle
- 1/2 hp

Part #	Description
343113	Pneumatic 55 gallon Drum Pump Pkg
343115	Electric 55 gallon Drum Pump Package
343117	Pneumatic 275 - 330 gallon Tote Package
343119	Electric 275 - 330 gallon Tote Package

## Alemite's standard 1/2" Polypropylene / Teflon Air Operated Diaphragm Pump can be used for installed systems to Service Overhead Reels

- 1/2" NPT fluid inlet / outlet
- 1/4" NPT air inlet
- 14 GPM free delivery
- Materials meet ISO / DIN standards for dispensing DEF
- 1/2 hp

Part #	Description
8322-C	1/2" Polypropylene/Teflon Diaphragm Pump

## Accessories:

Part #	Description
8424	Flow Meter Assembly
343120	Flow Meter Swivel M/M 3/4" x 1"
343121	Flow Meter Hose Barb 1" x 3/4"
343122	Flow Meter Kit - includes 8424, 343120, 343121
343123-3	10' x 3/4" I.D. DEF Hose
343123-4	20' x 3/4" I.D. DEF Hose
343140	For Micro Matic EPV, Twist Lock Connection - Stainless Steel
343141	For Micro Matic RSV, Lever actuated CamLock - Stainless Steel
343142	For Colder Drum Quik <sup>®</sup> PRO-Polypropylene

## Designed to hold up in the rough vehicle maintenance environment, the DEF 1/3hp pump fits drums and totes without additional brackets, straps, or ropes.

- Self priming
- Suction lift capability to 15 ft.
- Flow rate up to 7gpm
- Precise filling
- High operating efficiency
- Built-in handle for portability and handling ease
- High quality components
- Long service life
- Lightweight
- Ergonomically designed components

### Part #343183

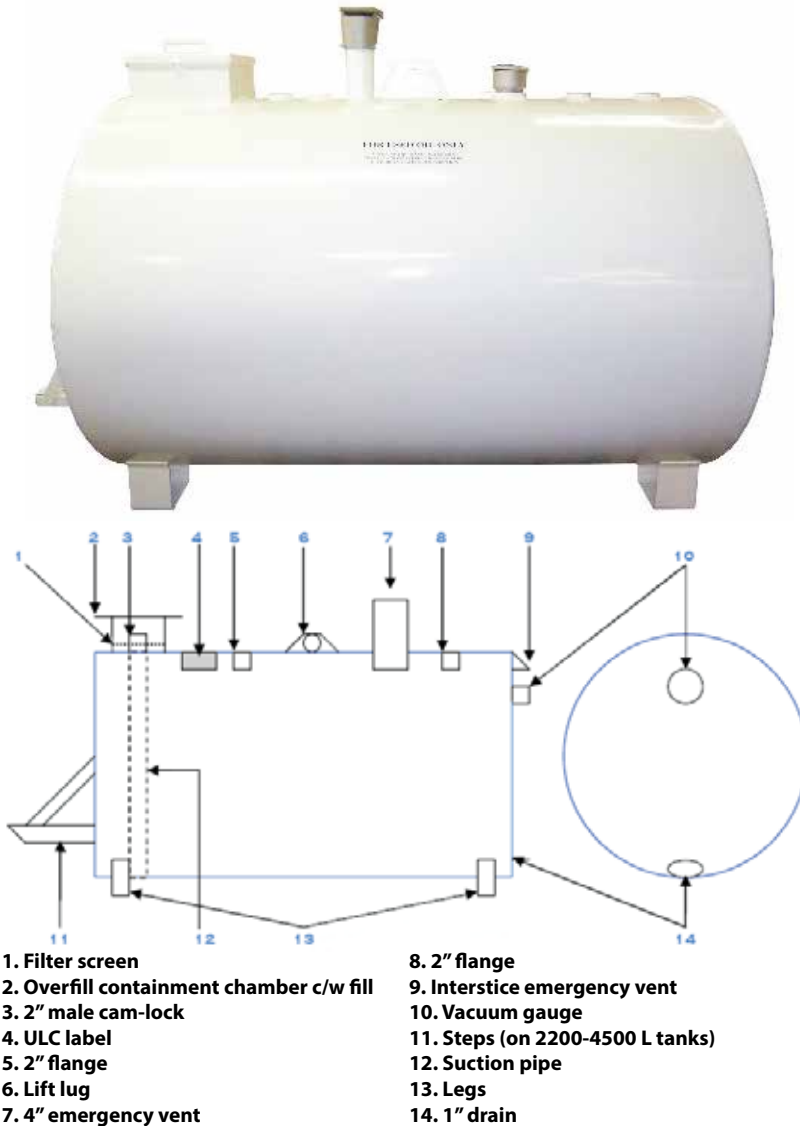
HP:	1/3
Voltage:	115/60
Watts:	600
Drum:	55g
Tote:	275/330
Flow rate:	up to 7gpm



\* Part #343185 includes all items listed above plus a mobile cart.

## Double Wall Waste Oil Tank

This tank meets or exceeds ULC S652 regulations for used oil storage. This tank is built rugged with an all steel double wall construction. Large drain/fill containment chamber complete with debris straining screen. For your convenience a Quick-connect cam-lock suction evacuation system is included. Tank is treated with a rust deterrent primer prior to 2 coats of epoxy. Platform is standard on 500 and 1000 gallon versions only and can be custom ordered on other capacities.



Material (Gauge)	Tank Capacity	Diameter	Length	Weight	Part Number
14	450L	30"	48"	200lbs	S652-450
14	1100L	38"	60"	500lbs	S652-1100
14	1360L	38"	72"	600lbs	S652-1360
12	2200L	50"	72"	1000lbs	S652-2200
12	4500L	50"	144"	2000lbs	S652-4500



# Waste Oil Management



Part #8592 Part #8587-1



Part #7143



Part #7140



Part #8588 Part #8589-A



Part #960433 Part #343141



Part #8595-A

## Tank Over Full Valve (#340078)

This valve is used to prevent used oil spills caused by overfilling storage tanks. It is used in conjunction with a used oil evacuation pump. Air passes through the valve. When storage tank is full, a float on the valve raises and the air supply to the pump is cut off.

## Portable Oil Drain (#8586)

Portable oil drain mounts directly to 16 gallon drum (not included). Consists of: cover mounted large bowl drain with telescoping tube, positive lock lever for bowl positioning, cover with a built in cam lock adapter and suction tube for evacuation. Float gauge indicates when drum is full. (**#8586-A same as above, comes with the drum**)

## Plastic Used Fluid Drain (#8592)

Model 8592 is a portable upright configuration used for collecting fluids under lift-mounted vehicles and is designed for use with pump-assist used fluid collection and transfer systems. This drain features a 26 gallon reservoir molded of durable polyethylene for lighter weight, reduced corrosion and lower risk of damage to surrounding vehicles

## Rolling Used Oil Drains (#7140)

Designed specifically for vehicle operations where ease of use and durability are essential in a pit operation. Capacity is 48 gallons. Will fit on 2" track 3" dia. wheels adjust to fit service pit width from 46.5" to 42". *Dimensions: 32.5"W x 32.62"L x 12"H*

## Pressurized Drain (#8587-1)

The system consists of a drain bowl and a 24 gallon(90 litre) wheel mounted tank. The drain bowl includes a strainer and the bowl is mounted on a tube that extends up to 20", and locks in place at the desired height, and a sight gauge. The tank is mounted on two 6" diameter rubber wheels and has two swivel casters.

## Pressurized Oil Dispenser (#8589 & #8589-A)

**Features:** a 17 gallon tank, 79" clear dispensing hose, valve, air pressure gauge, pressure relief valve and fluid level gauge. Recommended accessory: ¼" Air Regulator with Gauge (#7604-B). **Includes meter (3671-B) for Product #8589-A Only.**

## Portable Truck Drain (#7143)

Portable design simplifies waste oil handling and eliminates spillage. This unit comes complete with fittings for gravity evacuation. When used with a suction kit (338554 not included - see pg 19), suction evacuation further simplifies this process. The built-in baffles in sump prevent spills when moved. Capacity 110 Litres. *Dimensions: 26"W x 39 1/2" L x 9" H*

## Portable Oil Extractor (#8588)

Provides a safe, economical means of emptying fluids with the use of vacuum pressure. The system consists of a large 24 gallon (90 litres) tank, six suction wands with convenient storage caddy, pressure relief valve, wheel/caster design for portability and stability, handy tool tray, and convenient push handle. Sticker kit also available for easy labelling.

## Oil Filter Drain (#960433)

Capacity: 515 L. *Dimensions: 41"L x 24"W x 48"H to top of back splash.* Includes suction pipe for evacuation with evacuation pumping system. Steel mesh top for filter drainage.

## Lube Cart (#340341)

Multi-function drum cart provides convenience and durability. The cart is designed to handle a hose reel, pump, and meter, allowing the user to dispense oil or grease where needed in a shop. The cart can safely carry lubricant containers up to 400 lbs.

## Diaphragm Pump Evacuation Kit (#8595-A)

New diaphragm pump system to evacuate fluids from portable used fluid drains and storage containers. Features diaphragm pump (#8323), all recommended air supply, fluid extraction and fluid discharge fittings, components and accessories.



## Used Oil Pumps

These medium pressure pumps make used oil evacuation and transfer safe and simple. They are high volume pumps that transfer used oil to storage tanks quickly. They are designed to handle the abrasive materials that can be contained in used oil. Equipped with air connector and quick detach air coupler. The 9920 RAM pump's unique design makes it ideal for transferring large volumes of used oil or diesel fuel (pump is not UL rated).

Used Oil Pumps					
Part #	Type	Material Inlet/Outlet	Air Inlet	Pump Ratio	Deliver Per Min.
8322	Diaphragm	1/2"	1/4" (f)	1:1	14 Gallons
8322-A	Diaphragm	1/2"	1/4" (f)	1:1	14 Gallons
8323	Diaphragm	1"	3/8" (f)	1:1	35 Gallons
8324	Diaphragm	1-1/2"	1/2" (f)	1:1	106 Gallons
9920	RAM	1"	1/4" (f)	1:1	20 Gallons



Part #9920



Part #8301



Part #8324



Part #338554



Part #338556

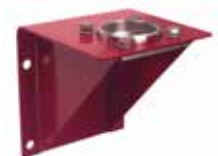


Part #339683

Part #SWA306



Part #328190-B4



Part #325749

## Waste Oil Accessories

### Evacuation Hose Kit #338554

Hose Kit includes 1" male thread on one end with ball valve and cam lock adapter for attaching to model 8586 portable drain. *Hose only - part #317849-6.*

### Suction Wand Kit #338557

Kit includes a 10' evacuation hose with quick-disconnect coupling, four 15" flexible wands, and a wand storage bracket. Wands are 3/16", 1/4", 3/8" and 1/2" OD. Evacuation hose has a 1/2" male pipe thread for connecting to the dual valve (338556).

### In-Line Strainer #339683

1" NPT strainer can be used for any drain.

### Siphon Kit #SWA306

Includes: Suction Tube (#338147-7), Bung Adaptor (#326750-B1), 1-1/2" F x 1" F 90° Elbow, 5'x1" 1 Wire Braid Hose 1" MBE (#SWA-279), 1" F x 1" M Swivel Connector (#1000-1616) and 1-1/2" M x 1" Reducer (#328207).

### Wall Brackets

#325749

For use with RAM pumps. Models: 9916-A; 9918-A; 9968

#328190-B4

This bracket is for use with extra heavy duty models: 7783; and 7793.

Note: Order adapter plate 322593 to mount pumps having bung adapters.

#343283

For mounting diaphragm pumps on wall.

## Evacuation Kit #8595-A

Designed from corrosion-resistant aluminum, the powerful pump quickly extracts and transfers used fluids from portable drains and other collection equipment. System can be installed near service bay(s) where used fluid is pumped to remote storage tanks. Kit includes fittings, valves, hoses and other components required for compressed air connection, fluid collection and discharge. Cam-lock-style connection adapts to virtually any type of drain.



**Pump:** 8323  
**Discharge hose:** 3/4" NPTF(m)  
**Suction hose connection:** 3/4" Cam-lock (f)  
**Air inlet:** 3/8" NPTF





# Portable Lubricators



Part #9911-A1



Part #9951-1



Part #9911-H1



Part #9961-1



Part #8570-5

## Portable High Pressure Lubricators

These air powered mobile units feature the exclusive Alemite RAM air motor for quiet operation and quick serviceability. Models include cover mounted pump, 7' delivery hose, Z-swivel and control handle. The pumps have a 3" diameter air motor. Air inlet 1/4" female pipe thread. Material outlet is 3/8" female.

*Drum not included. Flexible follower is included in all models except 9911-A1.*

Portable High Pressure Lubricators									
Part #	Drum Size	Ratio	Delivery #	Adapter	Material Hose	Follower	Swivel	Control Valve	Dolly
<b>9911-A1</b>	<a href="#">See Note</a>	50:1	2 lbs	<b>44734</b>	<b>317875-7</b>	<a href="#">See Note</a>	<b>B52752</b>	<b>6320-3</b>	<b>393629</b>
<b>9911-H1</b>	35 lbs	50:1	2 lbs	<b>44734</b>	<b>317875-7</b>	<b>337665</b>	<b>B52752</b>	<b>6320-3</b>	-
<b>9911-Z1</b>	35 lbs	50:1	2 lbs	<b>44734</b>	<b>317875-7</b>	<b>337665</b>	<b>B52752</b>	<b>6320-3</b>	<b>338958</b>
<b>9941</b>	120 lbs	70:1	2 lbs	<b>44734</b>	<b>317875-7</b>	<b>338802</b>	<b>B52752</b>	<b>6320-3</b>	<b>316315-5</b>
<b>9951-1</b>	120 lbs	50:1	2 lbs	<b>44734</b>	<b>317875-7</b>	<b>338801</b>	<b>B52752</b>	<b>6320-3</b>	<b>316315-5</b>
<b>9951-T1</b>	120 lbs	50:1	2 lbs	<b>44734</b>	<b>317875-7</b>	<b>338801</b>	<b>B52752</b>	<b>6320-3</b>	<b>338958</b>
<b>9951-S1</b>	120 lbs	50:1	2 lbs	<b>44734</b>	<b>317875-7</b>	<b>338801</b>	<b>B52752</b>	<b>6320-3</b>	-

**NOTE: Bold print indicates item is included with pump model.**

Free delivery NLGI #2 at 77 deg. F. 150 PSI pump operating air pressure.

Model 9911-A container will hold 70 lbs. bulk grease or 35 lbs. original refinery pail. Order follower separately.

Note: 337665 is for use with a 35lb. container and 338801 is used with 120lbs container.

## Portable Medium Pressure Lubricators

9961 mobile gear oil pump features the exclusive Alemite RAM motor for quiet operation and quick serviceability. Model includes cover mounted pump, 5-1/2" delivery hose, totalizing meter, control handle, and rugged steel dolly. The pump has a 3" diameter air motor, air inlet 1/4" female pipe thread, material outlet is 1/2" female pipe thread.

*Drum not included.*

Portable Lubricator						
Part #	Drum Size	Ratio	Delivery #	Material Hose	Cover	Meter
9961-1	120 lbs	5:1	4 gallon	317856-5F	338145	3630

## Hand Operated Medium Pressure Fluid Pumps

These hand operated pumps provide economical, convenient dispensing when air operated units are not practical. Models available to dispense fluids with viscosity up to SAE 140. These pumps are ideal for farm, construction, or industrial use.

Model 6796 is an economical barrel pump for light fluids. Models 7534-4, 7535-4 and 8570-5 are for use with gear lube.

Hand Operated Pumps								
Part #	Drum Size	Approx. Delivery	Material Hose	Bung Adapter	Cover #	Meter #	Dispensing Nozzle	Dolly
6796	16-55 Gal.	3/4 Pint per stroke	-	Integral	-	-	-	-
9596	16-55 Gal.	3/4 Pint per stroke	-	Integral	-	-	-	-
7534-4	16 Gal.	1 Pint per 6 strokes	<b>317809-5F</b>	-	<b>328245-4</b>	-	<b>306610</b>	316315-5
7535-4	55 Gal.	1 Pint per 6 strokes	<b>317809-5F</b>	<b>326750-E1</b>	318040-4	-	<b>306610</b>	316315-5
8570-5	16 Gal.	1 Qt. per 9 strokes	<b>317809-5F</b>	-	<b>323496-A4</b>	<b>3630</b>	<b>306610</b>	<b>316315-5</b>

**NOTE: Bold print indicates item is included with pump model.**

# Guide for Pump Selection



## Lubricating Systems Grease Section

### High Pressure Grease

The chart below lists general high-pressure pump selection guidelines. Each application varies and should be carefully considered for special conditions that may require a pump selection other than the standard recommendations listed. These conditions can include: viscosity of product pumped, ambient temperature conditions, simultaneous operation of several dispensing outlets, or dispensing volume requirements. When measuring total pumping distance, the hose length of dispensing reels should be included in total distance.

High-Pressure Fluid Pump Selection					
Dispensing Outlets	1-3	1-3	1-3	3 +	3+
Total Pumping Distance	Up to 75'	75' to 150'	Over 150'	Up to 150'	Over 150'
Piping Recommendation (Hydraulic tubing)	5/8" O.D. 0.083" wall	3/4" O.D. 0.095" wall	3/4" O.D. 0.095" wall	1" O.D. 0.125" wall	1" O.D. 0.125" wall
Schedule 160 wrought Steel Pipe (use forged steel fittings)	1/2"	3/4"	1"	1-1/4"	1-1/2"
High-Pressure Standard Duty	50:1	X			
	70:1	X	X		
High Pressure RAM	50:1	X			
	70:1	X	X		
High-Pressure Heavy-Duty	40:1		X	X	X
	75:1			X	X

## Lubricating Systems Fluid Oil Section

### Fluid Oil Drum and Tank Dispensing Pumps

The air-operated pumps detailed in this section are used to deliver motor oils, gear oils, hydraulic oils and automatic transmission fluids from original refinery drums or tanks. They are ideal for local or remote installations where fluids are piped to multiple hose outlets and/or reels, or through a Fluid Control System (see page 26-27).

These rugged weatherproof units are available in RAM, standard-duty and heavy-duty forms to meet any pumping requirement. Models for use on 120 lb. drums come with covers finished in baked enamel. The 400 lb. drum models are available with bung adapters which screw directly into 2" bung holes or covers. The chart lists general medium-pressure pump selection guidelines. Each application varies and should be carefully considered for special conditions that may require a pump selection other than the standard recommendations listed. These conditions can include: viscosity of product pumped, ambient temperature conditions, simultaneous operation of several dispensing outlets, or dispensing volume requirements. When measuring total pumping distance, the hose length of dispensing reels should be included in total distance. Select the pump that best suits your needs from the descriptions and delivery data.

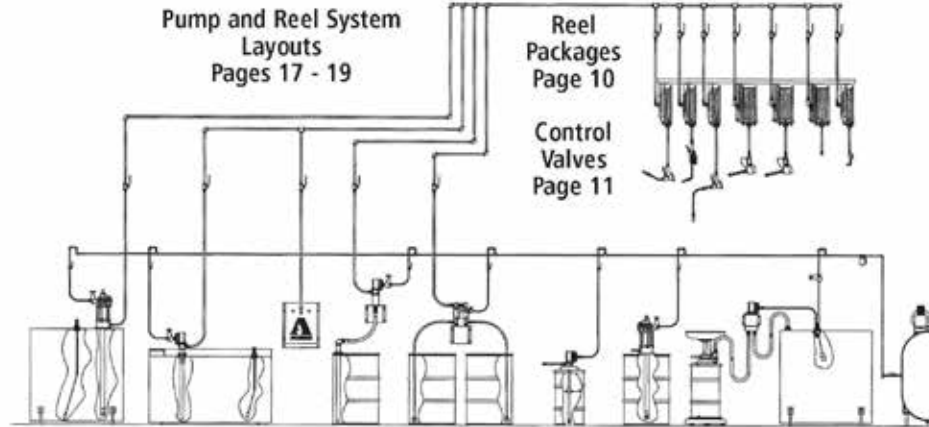
Medium-Pressure Fluid Pump Selection					
Dispensing Outlets	1-3	1-3	1-3	3 +	3+
Total Pumping Distance	Up to 75'	Up to 200'	Over 200'	Up to 200'	Over 200'
Piping Recommendation (Hydraulic tubing)	5/8" O.D. 0.035" wall	3/4" O.D. 0.035" wall	3/4" O.D. 0.049" wall	1" O.D. 0.049" wall	1" O.D. 0.049" wall
Schedule 160 wrought Steel Pipe (use forged steel fittings)	1/2"	3/4"	1"	1-1/4"	1-1/2"
Medium-Pressure Standard Duty	40:1	X			
Medium-Pressure RAM	1:1	can be used for distances up to approximately 30' – without metered control valves			
	3:1	X			
	5:1	X	X		
High-Pressure Heavy-Duty	10:1		X		
	6:1			X	X
	12:1				X



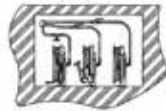




# Typical Installation



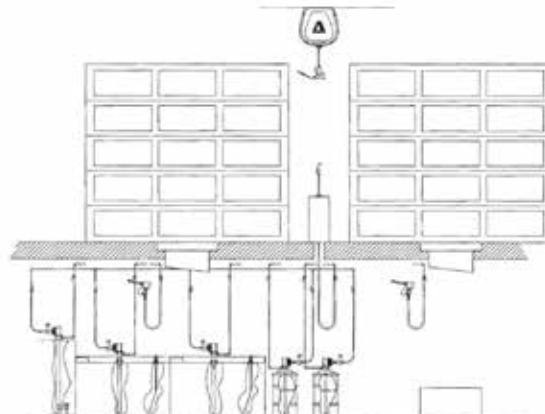
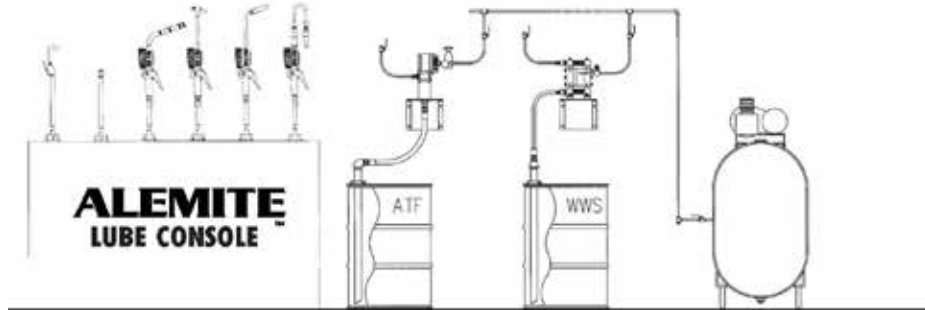
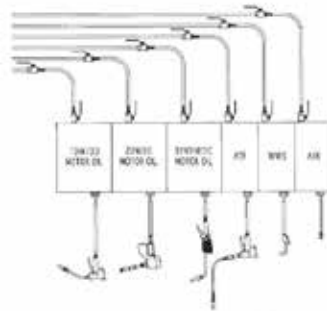
**Bulk Equipment Systems**  
Page 2 - 6



**Fluid Pumping Systems**  
Page 8

**Grease Systems**  
Page 9

**Waste Oil Management**  
Page 14 - 15





## AFCS PC

### Fluid Inventory Control and Management System Provides Versatility and Dependability

- Saves time and money by accurately tracking dispensed fluids
- Provides 100 % interface reliability with management software platforms such as ADP
- Combines dependability of a wired system with benefits of a wireless system
- Simple, packaged design means easy installation
- Manages up to 32 fluids and 300 dispense locations with one complete system
- Multiple users can dispense simultaneously on same system
- Three levels of security let you decide who can use, program and monitor the system
- High-flow dispense locations (15+ gpm) can mix with standard-flow locations
- Mechanic can start dispenses from existing PCs in their service bay

### Lower Installation Costs By Using Plug-In Standard Connections

#### Wired, Wireless or Combination

Each AFCS PC system is hard wired from the dispense point to the dispense unit. The AFCS PC wired system is based on an Ethernet network, which allows for easy, fast and 100 percent reliable communication. This is essential when the control system interfaces with a dealer management system. Connection is easy. Simply plug each keypad and dispense unit into each other with the Cat 5 Ethernet cable. The versatile AFCS PC system can adapt to any location. If the customer prefers to utilize a wireless network, this may reduce installation costs by minimizing component and labor requirements. Wireless capabilities exist from the dispense unit to the keypad to the PC. Alemite utilizes the WiFi 802.11b wireless protocol that integrates easily into a wired Ethernet network.



#### Simple Installation

The AFCS PC contains four components:

- Dispense Unit – Integrated power supply with plug-in connections to the Combination Unit and network
- Combination Unit – Contains the pulse meter, solenoid and contaminant filter
- Keypad – Consists of an integrated power supply with plug-in connections for parallel port printer and bar code scanner
- Virtual Keypad – Saves on both hardware and installation cost as software can be installed on mechanic's PC in the bay to initiate a dispense to any of the hose reels. To eliminate intricate wire

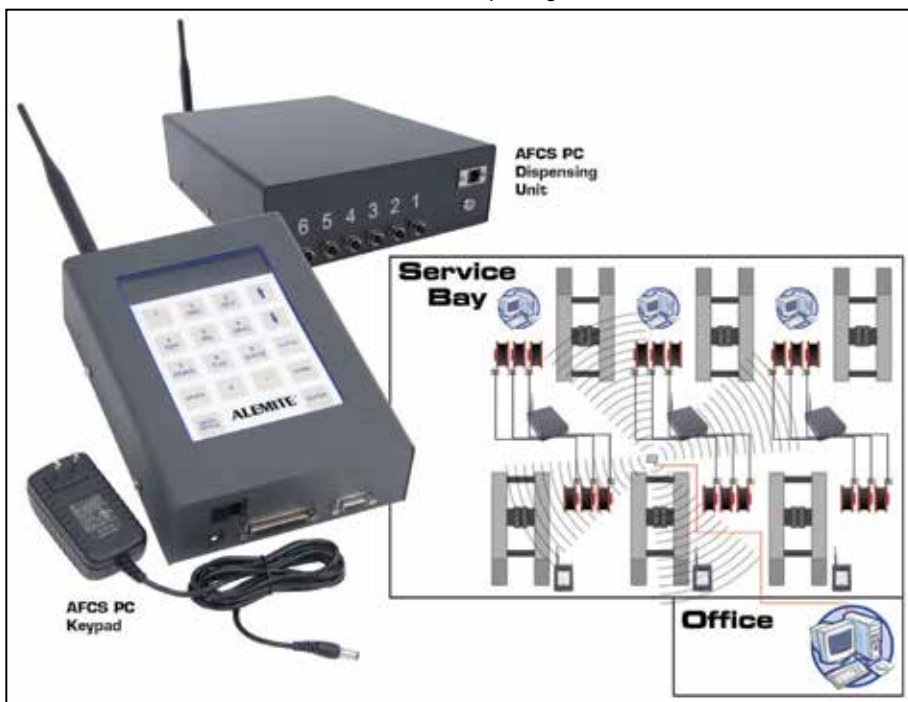
gauge-per-length calculations, pre-assembled wires are available in popular lengths.

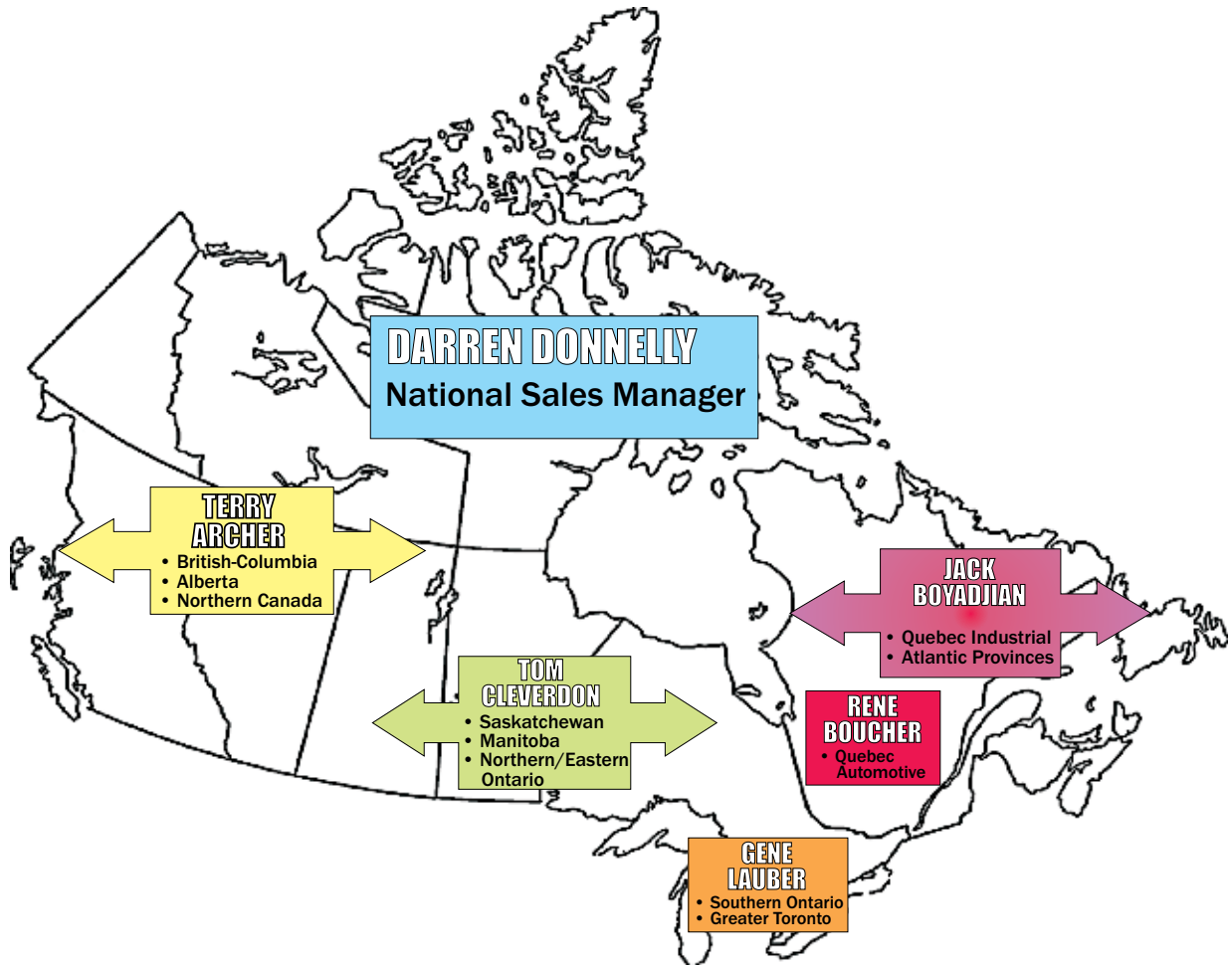
#### Easy to Use

Designed with three levels of access, one complete AFCS PC system manages up to 32 fluids and 300 dispense locations. Technicians can initiate the dispense process from any keypad, shop PC or master PC.

#### Durable

Unlike other wireless systems, the "brains" of the AFCS PC can be located on a service bay wall, safe from day-to-day hazards, rather than in the hand-held dispensing meter.





**Terry Archer**  
District Manager  
B.C., Alberta and Northern Canada  
terry.archer@skf.com  
Cell: (403) 660-7211

**Gene Lauber**  
District Manager  
Southern Ontario,  
Greater Toronto Area  
gene.lauber@skf.com  
Cell: (416) 949-4328

**Rene Boucher**  
District Manager  
Quebec Automotive  
rene.boucher@skf.com  
Cell: (418) 933-2647

**Jack Boyadjian**  
District Manager  
Quebec Industrial,  
Atlantic provinces  
jack.boyadjian@skf.com  
Cell: (514) 951-9585

**Tom Cleverdon**  
National Accounts Manager  
District Manager  
Saskatchewan, Manitoba,  
Northern/Eastern Ontario  
tom.cleverdon@skf.com  
Cell: (613) 264-5868

**Darren Donnelly**  
National Sales Manager  
darren.donnelly@skf.com  
Cell: (416) 525-7828



## STEWART WARNER Corporation of Canada

349 Macdonald Avenue  
Belleville, Ontario K8N 5B8  
Telephone: (800)267-8022  
Fax: (800)267-2880

[www.stewartwarnercanada.com](http://www.stewartwarnercanada.com)



# RAM PUMP



:: Rugged Performance







# RAM PUMP

The Alemite RAM pump is rugged enough to withstand even the most extreme conditions and handle your most challenging oil and grease applications with ease. The RAM pump sets the standard for pump durability and is faster, quieter and more efficient than ever before. Commonly used for vehicle maintenance in lube centers and automotive dealerships, as well as in manufacturing, construction and mining, this pump brings together details that make the difference in performance every day.

**With Alemite's wide range of pumps, you're sure to find one to meet almost any fluid transfer or dispensing application.**

## **RUGGED PERFORMANCE**

The Ram pump is capable of pumping at rates up to 16 gallons per minute. A 5-quart oil change can be completed in less than 30 seconds. The pump even resist the effects of freezing.

## **QUIET**

An internal muffler and an innovative air flow design means that RAM pumps are below OSHA noise requirements (85 dB).

## **EASY TO USE**

The RAM pump is designed to run with or without a lubricator. Additionally, the orientation of the material outlet and the air inlet can both be easily adjusted 360 degrees.

## **LOW START-UP PRESSURE**

Since the RAM pump is designed to reduce line pulsation and allow lower operating air pressure, you won't need to worry about splash when filling a container with the use of a dispensing device.

## **EASY IN-LINE MAINTENANCE**

The cost effective RAM pump facilitates in-line service. The air motor and spool valve are easily accessible without removing the downtube.



## RAM High Pressure Portable Grease Pumps

These air powered mobile units feature the exclusive Alemite RAM air motor for quiet operation and quick serviceability. Models include cover mounted pump, follower, 7' delivery hose, Z-swivel, control handle. All models include a built-in control handle holder on the cover. All models have a 3" diameter air motor. Air inlet is ¼" female pipe thread. Material outlet is 3/8" female. Drum not included.



Part Number	Drum Size	Pump Ratio	Approx. Del/Min #	Adapter	Mat'l Hose	Follower®	Z-Swivel	Control Handle	Cover	Dolly	Ship Wt.
9911-1+	35 lbs.	50:1	4.5 lbs	—	—	—	—	—	—	—	15 lbs.
9911-A1	See Note	50:1	4.5 lbs	44734	317875-7	▲	B52752	6320-3	323496-A4	393629	68 lbs.
9911-C1^	35 lbs.	50:1	4.5 lbs	—	317875-7	337665	—	—	338166	—	22 lbs.
9911-H1**	35 lbs.	50:1	4.5 lbs	44734	317875-7	337665	B52752	6320-3	338166	—	29 lbs.
9911-J**	35 lbs.	50:1	4.5 lbs	44734	317875-7	337665	B52752	6320-3	338166	—	29 lbs.
9911-R1*	—	50:1	4.5 lbs	—	—	—	—	—	—	—	17 lbs.
9911-Z1	35 lbs.	50:1	4.5 lbs	44734	317875-7	317875-7	B52752	6320-3	338166	338958	50 lbs.

© Follower is flexible - works with straight or tapered drum.

# Double acting delivery. Free delivery NLGI #2 at 77°F, 150 psi air pressure.

+ Complete replacement pump and downtube for model 9911-C1, 9911-H1 & 9911-Z1. Order for replacement only

^ 9911-C1 is part number 9911-H1 with only the pump, cover, follower & hose.

\* 9911-R1 is the replacement pump for the 9911-A1. It is the pump only.

\*\* Includes a carry handle.

▲ 337665 is for use with a 35 lb. container. 338802 is used with a 70 lb. container.

Note: Model 9911-A1 & 9911-B1 will hold 70 lbs. bulk grease or 35 lbs. original refinery pail.

Part Number	Drum Size	Pump Ratio	Approx. Del/Min #	Adapter	Mat'l Hose	Follower®	Z-Swivel	Control Handle	Cover	Dolly	Ship Wt.
9941	120 lbs.	70:1	3.25 lbs	44734	317875-7	338802	B52752	6320-3	338371	316315-5	54 lbs.
9951-1	120 lbs.	50:1	4.5 lbs	44734	317875-7	338802	B52752	6320-3	338371	316315-5	50 lbs.
9951-T1	120 lbs.	50:1	4.5 lbs	44734	317875-7	338802	B52752	6320-3	338371	338958	57 lbs.
9951-S1	120 lbs.	50:1	4.5 lbs	44734	317875-7	338802	B52752	6320-3	338371	—	37 lbs.

© Follower is flexible - works with straight or tapered drum.

# Double acting delivery. Free delivery NLGI #2 at 77°F, 150 psi air pressure.



## RAM High Pressure Stationary Grease Pumps

These pumps feature the exclusive Alemite RAM air motor for quiet operation and quick serviceability. Recommended for piped installations of moderate length. Easily handles fibrous multipurpose chassis lubricants. Air motor is 3" diameter. Air inlet is 1/4" female pipe thread. Material outlet is 3/8" female.

**Bold indicates that it is included with the Part Number**

Part Number	Drum Size	Pump Ratio	Approx. Del/Min #	Air Hose	Mat'l Hose	Follower®	Cover	Union	Ship Wt.
9940	120 lbs.	70:1	3.25 lbs.	317803-3	—	338802	338371	321155	28 lbs.
9949	400 lbs.	70:1	3.25 lbs.	317803-3	—	338911	338163	321155	32 lbs.
9950-1	120 lbs.	50:1	4.50 lbs.	317803-3	—	338802	338371	321155	19 lbs.
9950-A1	120 lbs.	50:1	4.50 lbs.	317803-3	—	<b>338802</b>	<b>338371</b>	321155	32 lbs.
9979	400 lbs.	50:1	4.50 lbs.	317803-3	—	338911	338163	321155	25 lbs.
9979-A	400 lbs.	50:1	4.50 lbs.	317803-3	—	<b>338911</b>	<b>338163</b>	321155	49 lbs.



## RAM High Pressure Portable Grease Pumps (For Metric Containers)

These models are powered by a RAM air motor with various pump tube lengths to suit metric drums. Drum dimensions vary by manufacturer. Contact Alemite for specific follower and cover dimensions. The drum cover, follower and 2" bung adapter should be ordered separately. All models have a 3" diameter air motor. Air inlet is 1/4" female pipe thread. Material outlet is 3/8" female. Drum not included.

Part Number	Drum Size* Kg. (Lbs.)	Pump Ratio	Approx. Del/Min #	Down Tube Length mm (inches)	Follower®	Cover	Ship Wt.	Bung Adapter
9950-C1	20 (N/A)	50:1	2.04 kg.	483 (19)	338992	338982	18 lbs.	326750
9950-1	50 (120)	50:1	2.04 kg.	705 (27-3/4)	338993	338983	19 lbs.	326750
9950-D1	180 (400)	50:1	2.04 kg.	941 (37-1/6)	338911	338984	23 lbs.	326750
9979	180 (400)	50:1	2.04 kg.	870 (34-1/4)	338911	338984	25 lbs.	326750



# Double acting delivery. Free delivery NLGI #2 at 77°F, 150 psi air pressure.

\* Drum dimensions vary by manufacturer. Contact Alemite for specific follower and cover dimensions.

## RAM Medium Pressure Stationary Oil/Fluid Pumps

These pumps feature the exclusive Alemite RAM air motor for quiet operation and quick serviceability. Recommended for piped installations of short to moderate length. Easily handles fluids up to SAE 140. Pump includes a 2" bung adapter for drum or tank mounting (appropriate down tube must be added for drum or tank mounting - see down tube selection chart). Pump will also mount directly to 1-1/2" suction pipe (1" for model 9970) to remote tank. Air motor is 3" diameter. Air inlet is 1/4" NPTF(f).



**Bold indicates that it is included with the Part Number**

Part Number	Drum Size	Pump Ratio	Approx. Del/Min #	Material Inlet	Material Outlet	Bung Adapter	Cover	Ship Wt.
9916-A1	Stub*	1:1	16 gpm	1-1/2" NPTF(f)	1/2" NPTF(f)	Integral	—	17 lbs.
9918-A	Stub*	3:1	9 gpm	1-1/2" NPTF(f)	1/2" NPTF(f)	Integral	—	17 lbs.
9960	16 gal.	5:1	7 gpm	1-1/2" NPTF(f)	1/2" NPTF(f)	<b>326750-B1</b>	—	18 lbs.
9960-A	16 gal.	5:1	7 gpm	1-1/2" NPTF(f)	1/2" NPTF(f)	—	<b>338145</b>	17 lbs.
9968	Stub*	5:1	7 gpm	1-1/2" NPTF(f)	1/2" NPTF(f)	<b>326750-B1</b>	—	14 lbs.
9968-A	Stub*	5:1	7 gpm	1-1/2" NPTF(f)	1/2" NPTF(f)	—	—	13 lbs.
9969-B	55 gal.	5:1	7 gpm	1-1/2" NPTF(f)	1/2" NPTF(f)	<b>326750-B1</b>	338163	18 lbs.
9970	Stub*	10:1	3.5 gpm	1" NPTF(f)	3/8" NPTF(f)	<b>326750-B1</b>	—	119 lbs.

\* Appropriate downtube should be added.

# Approximate delivery per minute free flow.

## RAM Medium Pressure Portable Oil/Fluid Pump

This air powered mobile gear oil pump features the exclusive Alemite RAM air motor for quiet operation and quick serviceability. Pump delivers up to 4 gallons of SAE 140-gear lube per minute at 150-psi air pressure. Models include cover mounted pump, 5-1/2' delivery hose, totalizing electronic meter, control handle, and rugged steel dolly. The cover has a built-in control handle holder to keep hose and handle off floor. Pump air motor is 3" diameter. Air inlet is 1/4" NPTF(f) female pipe thread. Drum not included.



Model Number	Drum Size	Pump Ratio	Approx. Del/Min #	Mat'l Hose	Cover Number	Meter Number	Control Handle	Dolly	Ship Wt.
9961-1	16 gal	5:1	4 gal	317813-5F	338145	3679	7492	316315-5	40 lbs.

# RAM Medium Pressure Special Application Oil/Fluid Pump

## Alemite Transfer Pump

This medium pressure pump is designed for both high volume transfer and dispensing a variety of low viscosity fluids. The model 9920 RAM pump will pump abrasive fluids such as used oil.

Model Number	Drum Size	Pump Ratio	Approx. Del/Min #
9920	Used Oil	1:1	20 gpm



# RAM PUMPS

## FEATURES:

- Rugged
- Quiet Operation
- Simple Air Motor design
- Hassle-free in-line maintenance
- Innovative air flow design
- Easy To Use
- Cost Effective
- Fast Delivery



1057 521 Corporate Center Dr., Suite 100  
Fort Mill, SC 29707  
Toll Free U.S.: 866-4-Alemite  
Toll Free Canada: 800-267-8022  
International: 803-802-0001  
Fax U.S.: 800-648-3917  
Fax Canada: 800-267-2880  
Fax International: 803-802-0192  
[www.alemite.com](http://www.alemite.com)